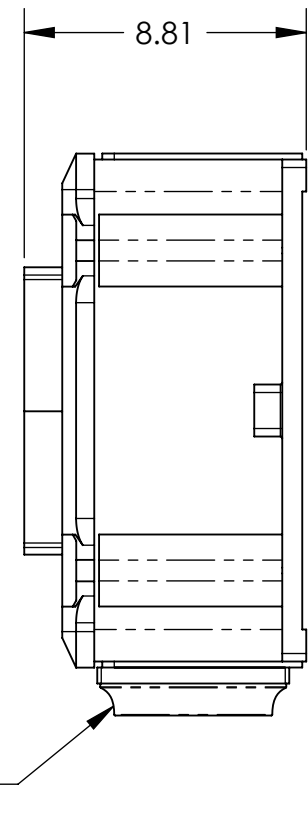
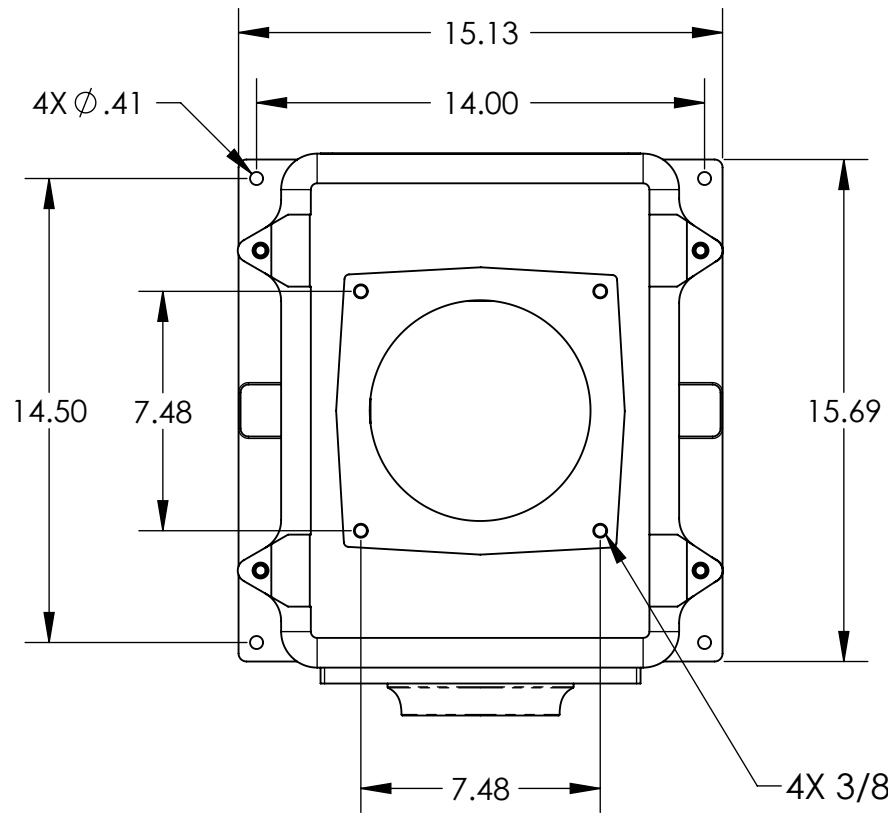


This drawing is the property of MELTRIC Corporation, Franklin (Milwaukee) Wisconsin, USA. Any unauthorized copying of this drawing by any means, ENG/RD/06 REV: 20 ISSUED DATE: 1/15/11 or disclosure of its contents to any person not authorized by MELTRIC Corporation or its agents to receive it, is strictly prohibited.

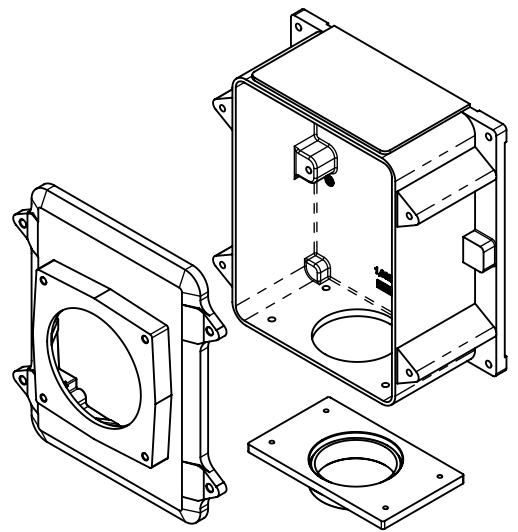


4X 3/8-16 UNC

(FITTING)

PART NUMBER	FITTING SIZE
MB40-20	2" NPT
MB40-25	2.5" NPT
MB40-30	3" NPT
MB40-35	3.5" NPT
MB40-40	4" NPT

APPROX WEIGHT = 45 LBS.



ASSEMBLY INCLUDES A NEOPRENE GASKET

TOLERANCES UNLESS OTHERWISE SPECIFIED		 MELTRIC <small>A COMPANY OF MARECHAL ELECTRIC</small>		DRAWING TITLE:		
MACHINED SURFACES $\sqrt[125]{\text{MAX}}$	ENGLISH 0.X ±0.05 0.XX ±0.01 0.XXX ±0.005			DRAWN	APPROVED	MB40 METAL JUNCTION BOX
GROUND SURFACES $\sqrt[32]{\text{MAX}}$		DATE:	SCALE	MATERIAL:		
ANGLE TOLERANCE ±1°	<small>DIMENSIONS SHOWN IN OVALS ARE INSPECTION DIMENSIONS.</small>	SHEET:	NTS	PAINTED METAL		
REMOVE BURRS & SHARP EDGES TO .015 MAX.		1 OF 1	PART NUMBER		REVISION	
			MB40-xx			