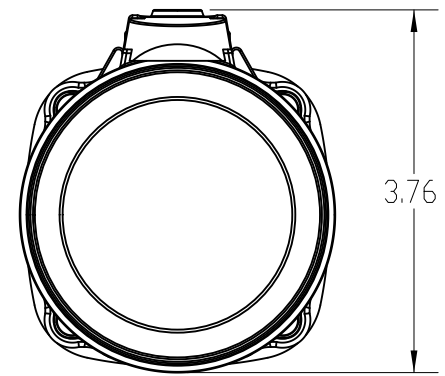
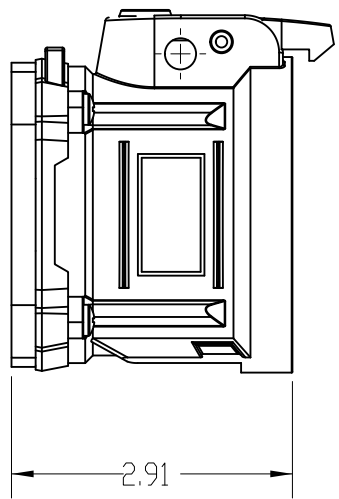
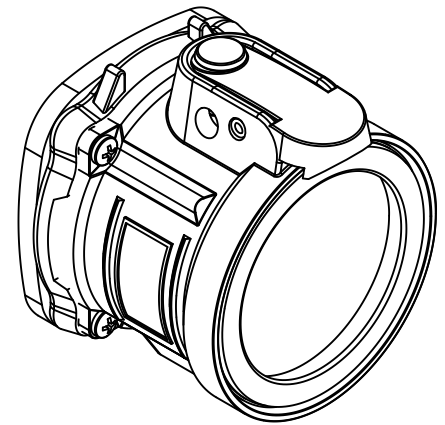
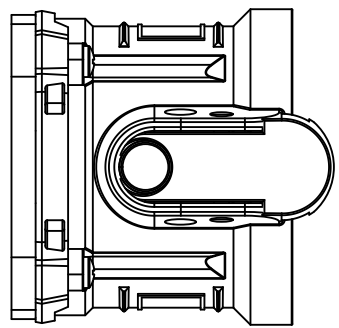
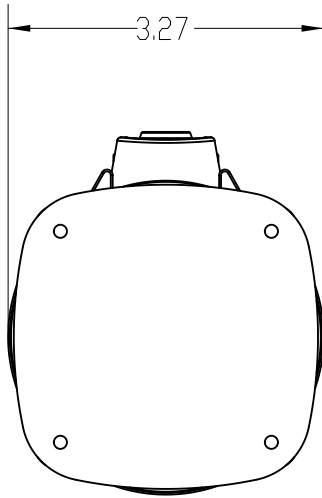
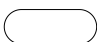



This drawing is the property of MELTRIC Corporation, Franklin (Milwaukee), Wisconsin, USA. Any unauthorized copying of this drawing by any means, or disclosure of its contents to any person not authorized by MELTRIC Corporation or its agents to receive it, is strictly prohibited.

ENG/RD/06 REV: 20 ISSUED DATE: 11/15/11

G F E D C B A



TOLERANCES UNLESS OTHERWISE SPECIFIED MACHINED SURFACES $\sqrt{125}$ MAX GROUND SURFACES $\sqrt{32}$ MAX ANGLE TOLERANCE $\pm 1^\circ$ REMOVE BURRS & SHARP EDGES TO .015 MAX.  DIMENSIONS SHOWN IN OVALS ARE INSPECTION DIMENSIONS.		ENGLISH 0.X ± 0.05 0.XX ± 0.01 0.XXX ± 0.005		 A COMPANY OF MARECHAL ELECTRIC	
DRAWN DATE:	APPROVED	DRAWING TITLE: PADLOCKABLE PLUG CAP		MATERIAL:	
SHEET: 1 OF 1		SCALE NTS	PART NUMBER DS3PC		REVISION