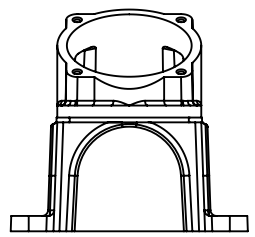
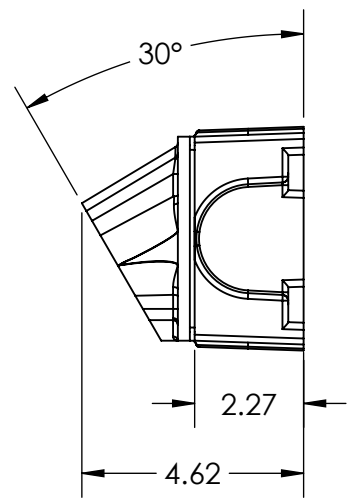
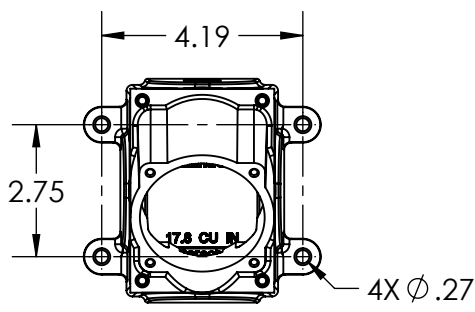
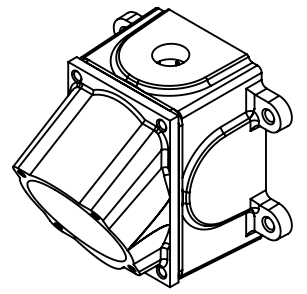
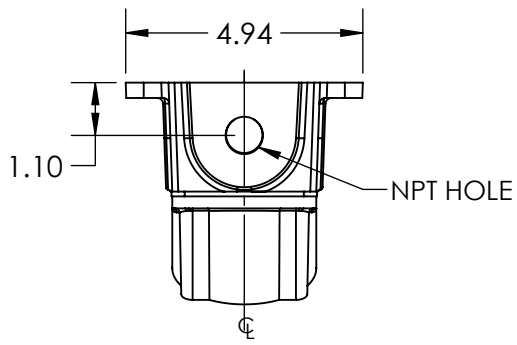
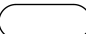



This drawing is the property of MELTRIC Corporation, Franklin (Milwaukee) Wisconsin, USA. Any unauthorized copying of this drawing by any means, ENG/RD/06 REV: 21 ISSUED DATE: 10/7/16 or disclosure of its contents to any person not authorized by MELTRIC Corporation or its agents to receive it, is strictly prohibited.



PART NUMBER	NPT SIZE
7K3C3N05	1/2" NPT
7K3C3N07	3/4" NPT
7K3C3N10	1" NPT
7K3C3N12	1-1/4" NPT

TOLERANCES UNLESS OTHERWISE SPECIFIED	
MACHINED SURFACES $\sqrt[125]{\text{MAX}}$	ENGLISH 0.X ±0.05 0.XX ±0.01 0.XXX ±0.005
GROUND SURFACES $\sqrt[32]{\text{MAX}}$	
ANGLE TOLERANCE ±1°	
REMOVE BURRS & SHARP EDGES TO .015 MAX.	
 DIMENSIONS SHOWN IN OVALS ARE INSPECTION DIMENSIONS.	

 A COMPANY OF MARÉCHAL ÉLECTRIC		DRAWING TITLE:	
		SIZE 3 METAL BOX/ 30° METAL ANGLE	
DATE:	SCALE	MATERIAL:	
	NTS	BLACK METAL BOX/ BLACK METAL ANGLE	
SHEET:	PART NUMBER		REVISION
1 OF 1	7K3C3Nxx		