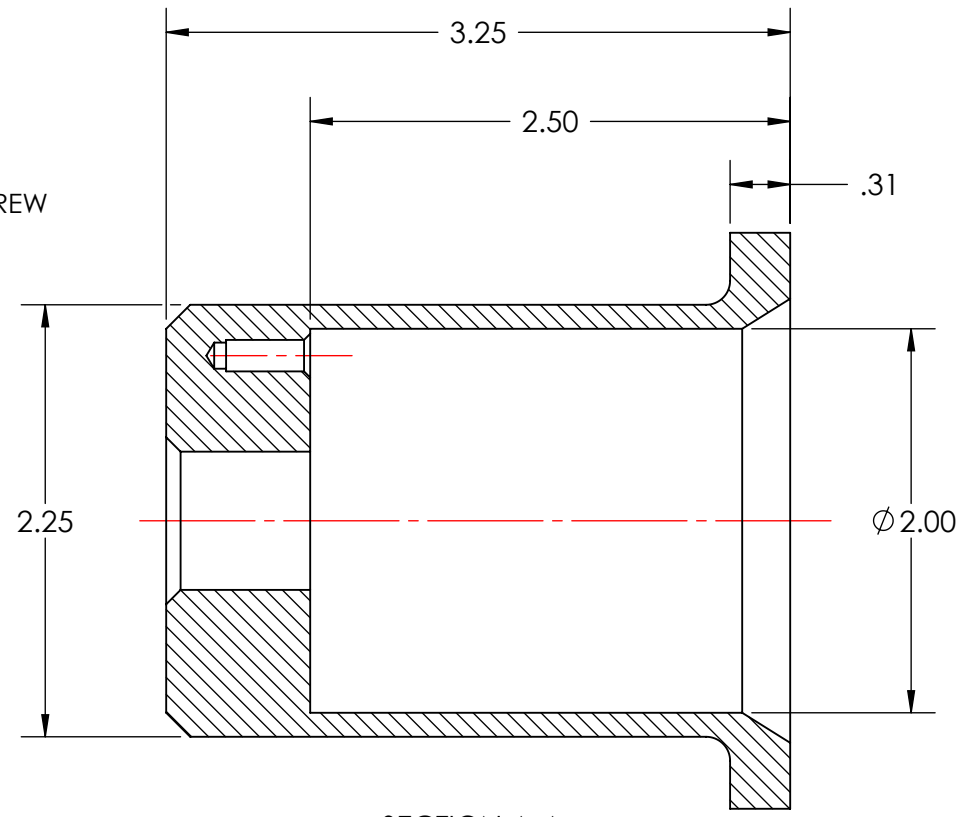
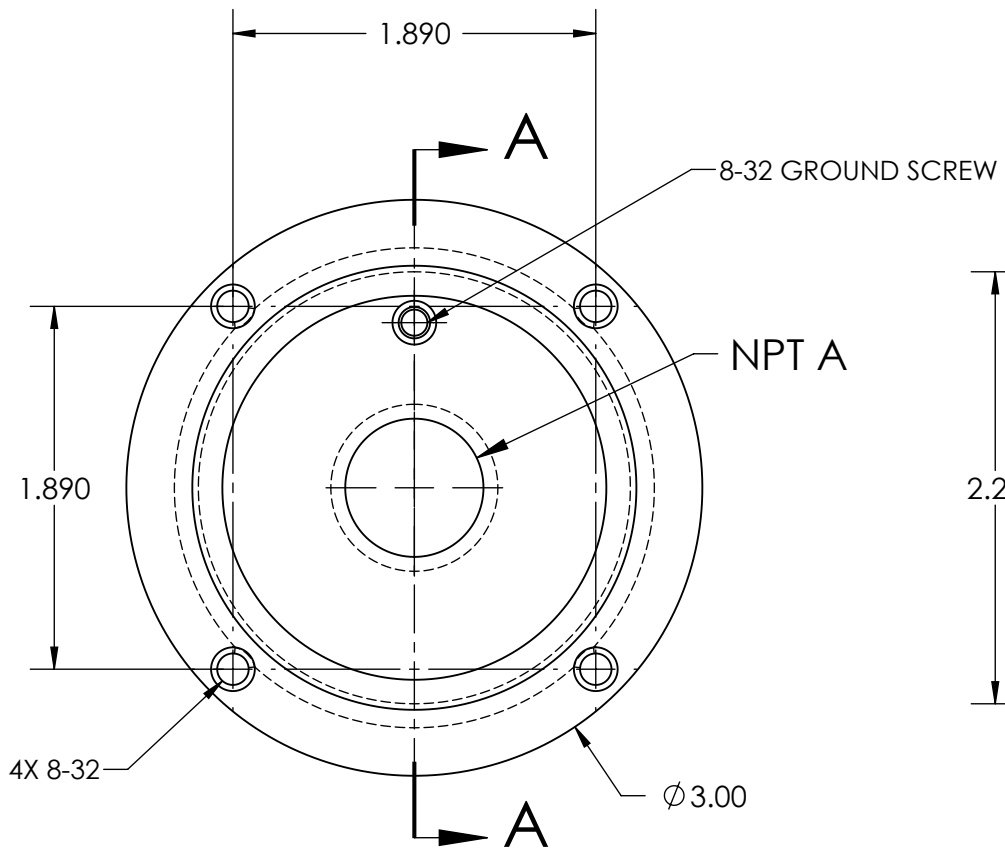
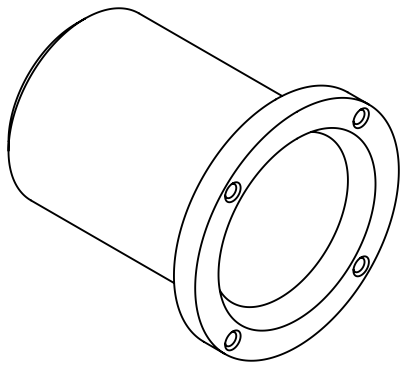


This drawing is the property of MELTRIC Corporation, Franklin (Milwaukee) Wisconsin, USA. Any unauthorized copying of this drawing by any means, ENG/RD/06 REV: 20 ISSUED DATE: 1/15/11 or disclosure of its contents to any person not authorized by MELTRIC Corporation or its agents to receive it, is strictly prohibited.



SECTION A-A  
SCALE 1 : 1



PART NUMBER	NPT SIZE "A"
7X2PON05	1/2" NPT
7X2PON07	3/4" NPT
7X2PON10	1" NPT
7X2PON12	1-1/4" NPT

TOLERANCES UNLESS OTHERWISE SPECIFIED		 A COMPANY OF MARÉCHAL ÉLECTRIC	
MACHINED SURFACES $\sqrt[125]{\text{MAX}}$	ENGLISH		
GROUND SURFACES $\sqrt[32]{\text{MAX}}$	0.X $\pm 0.05$	DRAWING TITLE:	
ANGLE TOLERANCE $\pm 1^\circ$	0.XX $\pm 0.01$	STAINLESS STEEL HANDLE	
REMOVE BURRS & SHARP EDGES TO .015 MAX.	0.XXX $\pm 0.005$	DATE:	SCALE: NTS
DIMENSIONS SHOWN IN OVALS ARE INSPECTION DIMENSIONS.		MATERIAL: STAINLESS STEEL	
		SHEET: 1 OF 1	PART NUMBER: 7X2PONxx
			REVISION