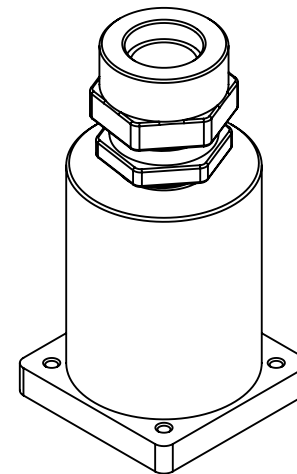
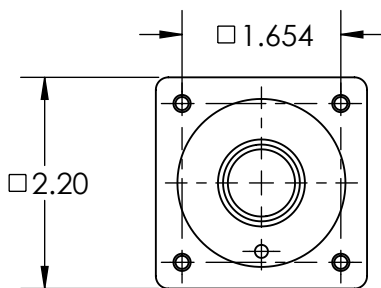
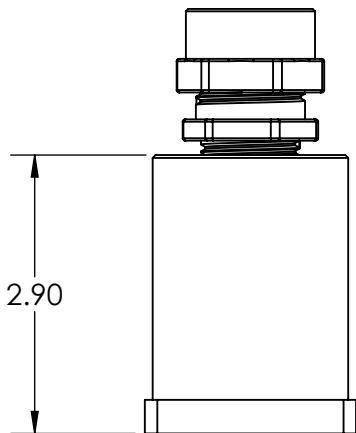
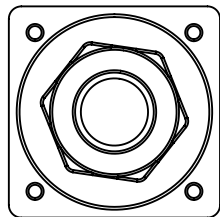
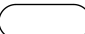



This drawing is the property of MELTRIC Corporation, Franklin (Milwaukee) Wisconsin, USA. Any unauthorized copying of this drawing by any means, ENG/RD/06 REV: 21 ISSUED DATE: 10/7/16 or disclosure of its contents to any person not authorized by MELTRIC Corporation or its agents to receive it, is strictly prohibited.

G F E D C B A



| PART NUMBER | CABLE RANGE |
|-------------|--------------|
| 7X1POBS4 | .500"-.562" |
| 7X1POCS1 | .562"-.625" |
| 7X1POCS4 | .625"-.750" |
| 7X1PODS1 | .750"-.875" |
| 7X1PODS2 | .875"-1.000" |

| TOLERANCES UNLESS OTHERWISE SPECIFIED | |
|--|--|
| MACHINED SURFACES $\sqrt[125]{\text{MAX}}$ | ENGLISH 0.X ±0.05 0.XX ±0.01 0.XXX ±0.005 |
| GROUND SURFACES $\sqrt[32]{\text{MAX}}$ | |
| ANGLE TOLERANCE ±1° | |
| REMOVE BURRS & SHARP EDGES TO .015 MAX. | |
|  DIMENSIONS SHOWN IN OVALS ARE INSPECTION DIMENSIONS. | |

| | | | |
|---|----------|----------------|-----------|
|  A COMPANY OF MARÉCHAL ELECTRIC | | | |
| DRAWN | APPROVED | DRAWING TITLE: | |
| DATE: | | SCALE | MATERIAL: |
| SHEET: | | PART NUMBER | |
| 1 OF 1 | | 7X1POxxx | |
| SIZE 1 STAINLESS STEEL HANDLE W/CORD GRIP | | | REVISION |
| STAINLESS STEEL HANDLE | | | 6 |