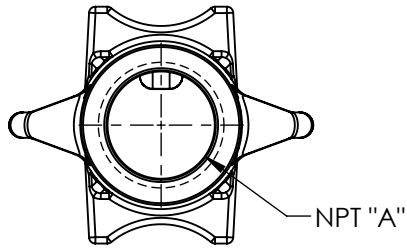
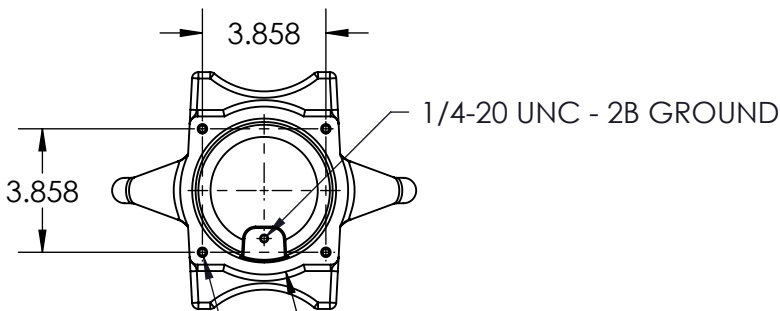
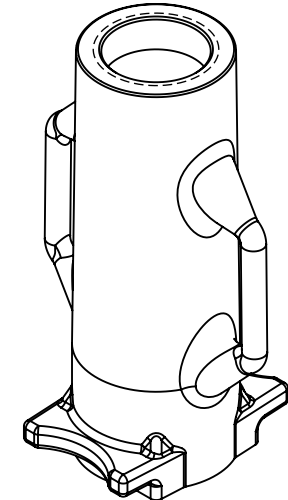
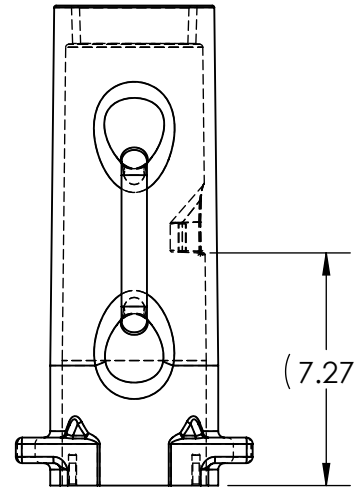
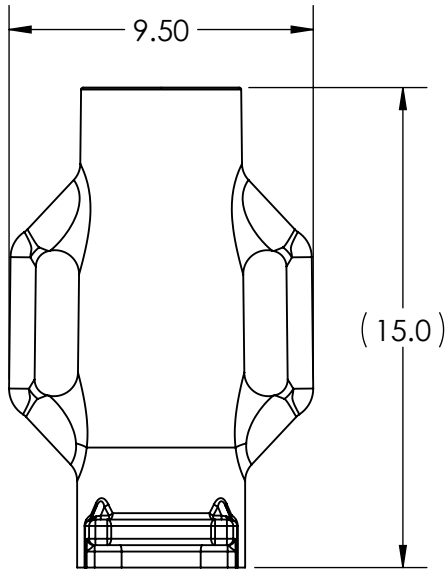


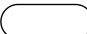
This drawing is the property of MELTRIC Corporation, Franklin (Milwaukee) Wisconsin, USA. Any unauthorized copying of this drawing by any means, ENG/RD/06 REV: 21 ISSUED DATE: 10/7/16 or disclosure of its contents to any person not authorized by MELTRIC Corporation or its agents to receive it, is strictly prohibited.



PART NUMBER	NPT "A"
796PON12	1-1/4" NPT
796PON15	1-1/2" NPT
796PON20	2" NPT
796PON25	2-1/2" NPT
796PON30	3" NPT



4X 1/4-20 UNC - 2B ϕ 5.25

TOLERANCES UNLESS OTHERWISE SPECIFIED	
MACHINED SURFACES $\sqrt[125]{\text{MAX}}$	ENGLISH 0.X \pm 0.05 0.XX \pm 0.01 0.XXX \pm 0.005
GROUND SURFACES $\sqrt[32]{\text{MAX}}$	
ANGLE TOLERANCE \pm 1°	
REMOVE BURRS & SHARP EDGES TO .015 MAX.	
 DIMENSIONS SHOWN IN OVALS ARE INSPECTION DIMENSIONS.	

MELTRIC A COMPANY OF MARÉCHAL ELECTRIC			
DRAWN	APPROVED	DRAWING TITLE:	
		200A OVERSIZED METAL HANDLE	
DATE:	SCALE	MATERIAL:	
	NTS	PAINTED METAL - BLUE	
SHEET:	PART NUMBER		REVISION
1 OF 1	796PONxx		