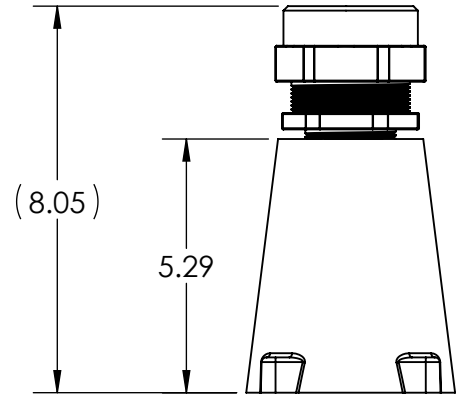
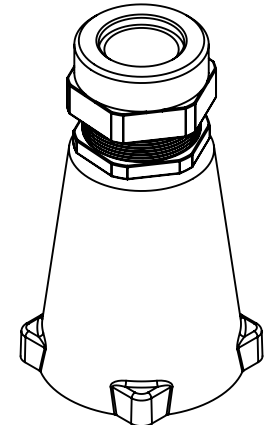
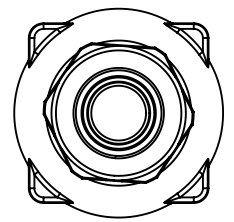


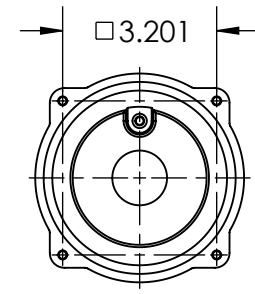
This drawing is the property of MELTRIC Corporation, Franklin (Milwaukee) Wisconsin, USA. Any unauthorized copying of this drawing by any means, ENGR/D/06 REV: 21 ISSUED DATE: 10/7/16 or disclosure of its contents to any person not authorized by MELTRIC Corporation or its agents to receive it, is strictly prohibited.

G | F | E | D | C | B | A

1
2
3
4
5
6



PART NUMBER	CABLE RANGE
795P0FS1	1.250" TO 1.375"
795P0FS2	1.438" TO 1.562"
795P0FS3	1.562" TO 1.688"
795P0GS1	1.688" TO 1.812"



TOLERANCES UNLESS OTHERWISE SPECIFIED		MELTRIC A COMPANY OF MARÉCHAL ELECTRIC	
MACHINED SURFACES $\sqrt[125]{\text{MAX}}$ GROUND SURFACES $\sqrt[32]{\text{MAX}}$ ANGLE TOLERANCE $\pm 1^\circ$ REMOVE BURRS & SHARP EDGES TO .015 MAX. DIMENSIONS SHOWN IN OVALS ARE INSPECTION DIMENSIONS.	ENGLISH 0.X ± 0.05 0.XX ± 0.01 0.XXX ± 0.005	DRAWN	APPROVED
		DRAWING TITLE: METAL HANDLE WITH CORD GRIP	
		DATE:	SCALE: NTS
		MATERIAL: METAL HANDLE	
		SHEET: 1 OF 1	PART NUMBER: 795P0xSx
		REVISION	