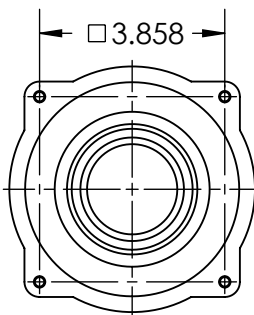
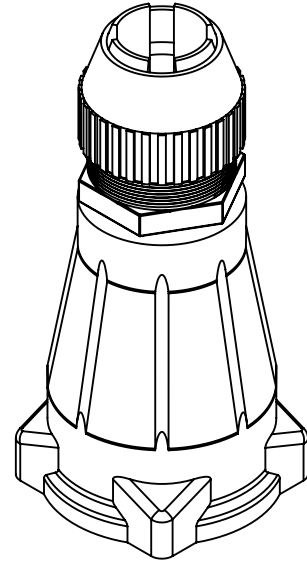
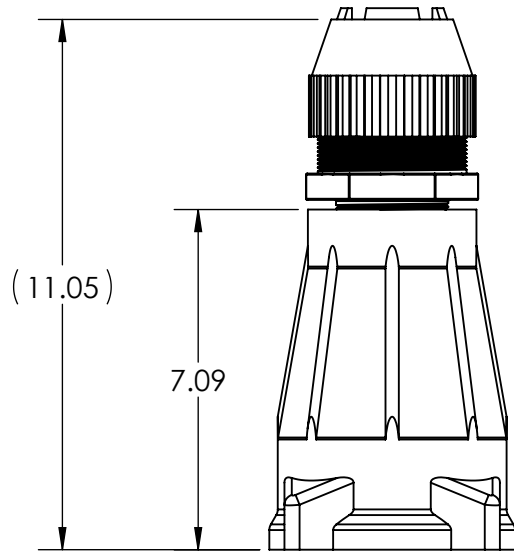
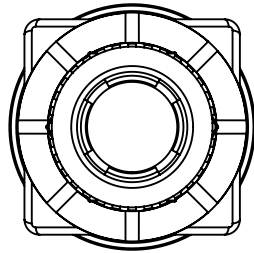


This drawing is the property of MELTRIC Corporation, Franklin (Milwaukee) Wisconsin, USA. Any unauthorized copying of this drawing by any means, ENGR/D/06 REV: 21 ISSUED DATE: 10/7/16 or disclosure of its contents to any person not authorized by MELTRIC Corporation or its agents to receive it, is strictly prohibited.

G F E D C B A

1  
2  
3  
4  
5  
6



PART NUMBER	CABLE RANGE
716P0GP2	1.520 TO 1.860"
716P0GP3*	1.850" TO 2.190"

\*MAY REQUIRE STRIPPING OF CABLE JACKET.

TOLERANCES UNLESS OTHERWISE SPECIFIED		MELTRIC A COMPANY OF MARÉCHAL ÉLECTRIC	
MACHINED SURFACES $\sqrt[125]{\text{MAX}}$	ENGLISH 0.X ±0.05 0.XX ±0.01 0.XXX ±0.005	DRAWN	APPROVED
GROUND SURFACES $\sqrt[32]{\text{MAX}}$		DRAWING TITLE: POLY HANDLE WITH CORD GRIP	
ANGLE TOLERANCE ±1°	REMOVE BURRS & SHARP EDGES TO .015 MAX.	DATE:	SCALE: NTS
DIMENSIONS SHOWN IN OVALS ARE INSPECTION DIMENSIONS.		MATERIAL: BLUE POLY HANDLE	
		SHEET: 1 OF 1	PART NUMBER: 716P0GPx
		REVISION	