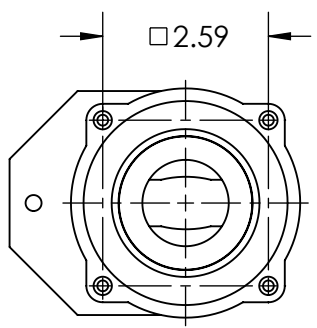
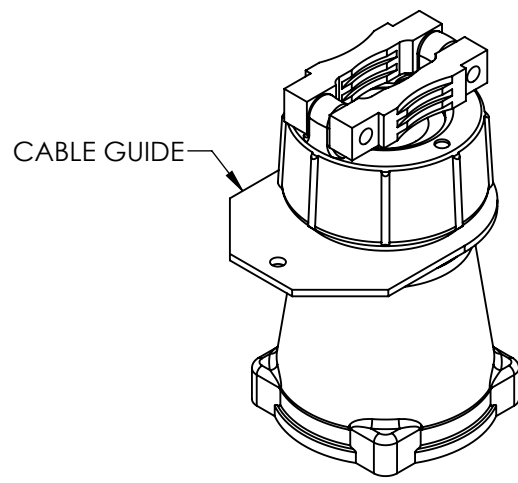
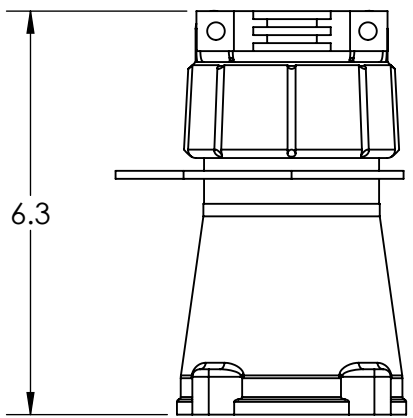
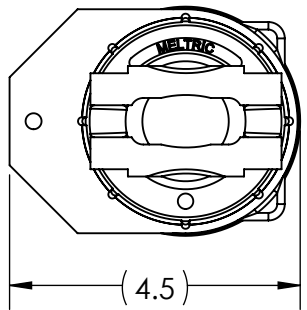
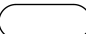



This drawing is the property of MELTRIC Corporation, Franklin (Milwaukee) Wisconsin, USA. Any unauthorized copying of this drawing by any means, ENGR/D/06 REV: 21 ISSUED DATE: 10/7/16 or disclosure of its contents to any person not authorized by MELTRIC Corporation or its agents to receive it, is strictly prohibited.

G F E D C B A



PART NUMBER	CABLE RANGE
714POS22443	1.250" TO 1.375"
714POS25443	1.438" TO 1.562"
714POS27443	1.562" TO 1.688"
714POS29443	1.688" TO 1.812"

TOLERANCES UNLESS OTHERWISE SPECIFIED	
MACHINED SURFACES $\sqrt[125]{\text{MAX}}$	ENGLISH 0.X ±0.05 0.XX ±0.01 0.XXX ±0.005
GROUND SURFACES $\sqrt[32]{\text{MAX}}$	
ANGLE TOLERANCE ±1°	
REMOVE BURRS & SHARP EDGES TO .015 MAX.	
 DIMENSIONS SHOWN IN OVALS ARE INSPECTION DIMENSIONS.	

 A COMPANY OF MARÉCHAL ELECTRIC			
DRAWN	APPROVED	DRAWING TITLE:	
		SIZE 4 HANDLE W/CLAMP & BUSHING, CABLE GUIDE	
DATE:	SCALE	MATERIAL:	
	NTS	BLUE POLY CASING	
SHEET:	PART NUMBER		REVISION
1 OF 1	714POS2x443		

1
2
3
4
5
6