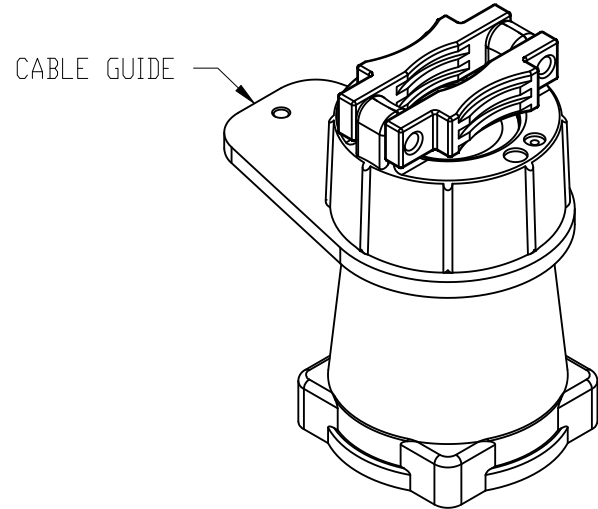
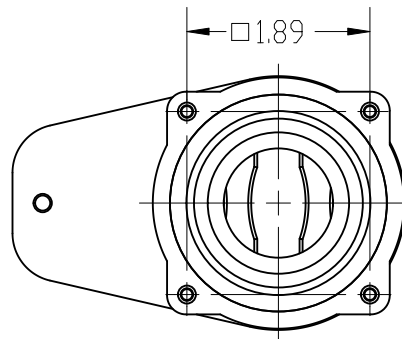
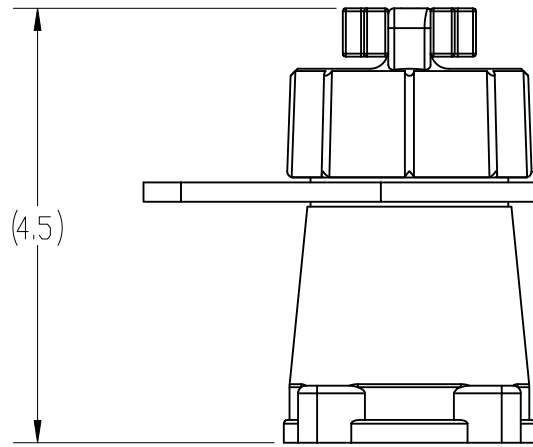
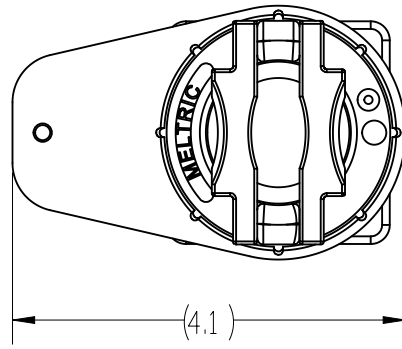


This drawing is the property of MELTRIC Corporation, Franklin (Milwaukee), Wisconsin, USA. Any unauthorized copying of this drawing by any means, or disclosure of its contents to any person not authorized by MELTRIC Corporation or its agents to receive it, is strictly prohibited.

ENG/RD/06 REV: 21 ISSUED DATE: 10/7/16



PART NUMBER	CABLE RANGE
712POS14443	.750" - .875"
712POS16443	.875" - 1.000"
712POS18443	1.000" - 1.125"
712POS20443	1.125" - 1.250"
712POS22443	1.250" - 1.375"


TOLERANCES UNLESS OTHERWISE SPECIFIED

MACHINED SURFACES $\sqrt[125]{\text{MAX}}$

GROUND SURFACES $\sqrt[32]{\text{MAX}}$

ANGLE TOLERANCE $\pm 1^\circ$

REMOVE BURRS & SHARP EDGES TO .015 MAX.

 DIMENSIONS SHOWN IN OVALS ARE INSPECTION DIMENSIONS.

ENGLISH

0.X ± 0.05

0.XX ± 0.01

0.XXX ± 0.005

MELTRIC
A COMPANY OF MARECHAL ELECTRIC

DRAWN	APPROVED	DRAWING TITLE:	
DATE:		SCALE	MATERIAL:
SHEET:		PART NUMBER	
1 OF 1		712POSxx443	REVISION

SIZE 2 HANDLE WITH CABLE GUIDE

BLUE POLY HANDLE