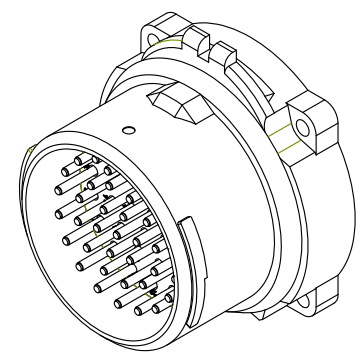
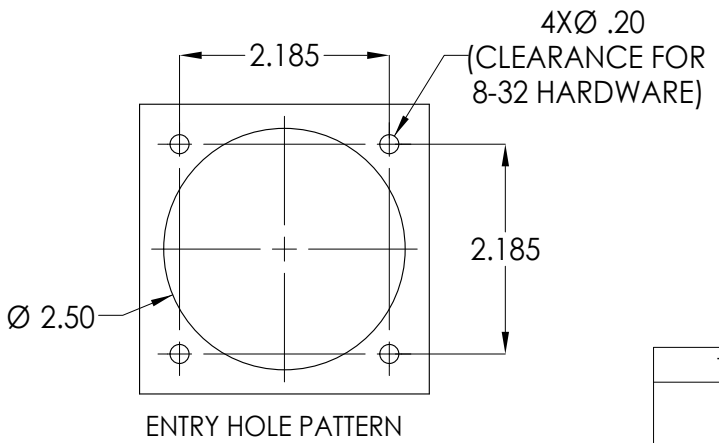
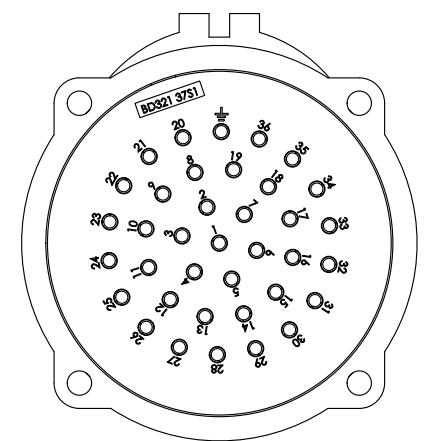
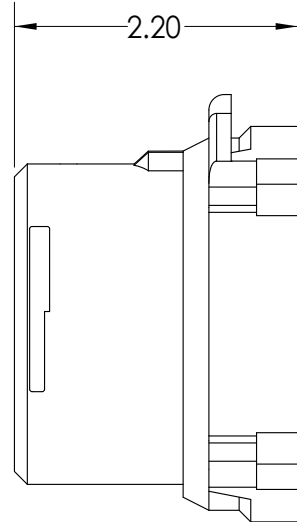
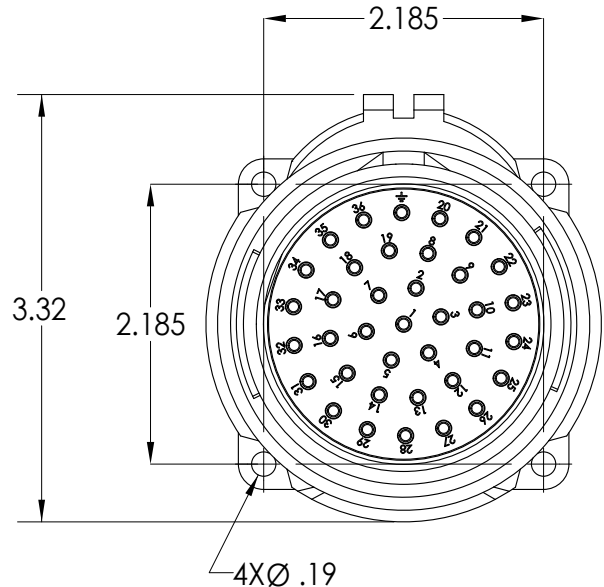


This drawing is the property of MELTRIC Corporation, Franklin (Milwaukee), Wisconsin, USA. Any unauthorized copying of this drawing by any means, or disclosure of its contents to any person not authorized by MELTRIC Corporation or its agents to receive it, is strictly prohibited.



TOLERANCES UNLESS OTHERWISE SPECIFIED		 A COMPANY OF MARÉCHAL ÉLECTRIQUE	
MACHINED SURFACES $\sqrt[125]{\text{MAX}}$	ENGLISH		
GROUND SURFACES $\sqrt[32]{\text{MAX}}$	0.X ±0.05	DATE:	
ANGLE TOLERANCE ±1°	0.XX ±0.01	SCALE	
REMOVE BURRS & SHARP EDGES TO .015 MAX.	0.XXX ±0.005	NTS	
DIMENSIONS SHOWN IN OVALS ARE INSPECTION DIMENSIONS.		DRAWING TITLE:	
		DSN37c INLET	
		MATERIAL:	
		BLUE POLY	
		PART NUMBER	
		REVISION	
		SHEET: 1 OF 1	63-C8003