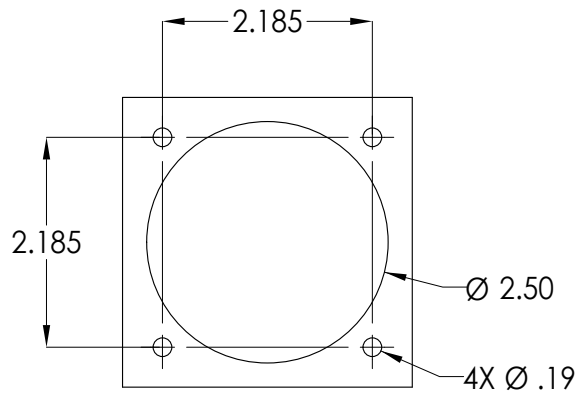
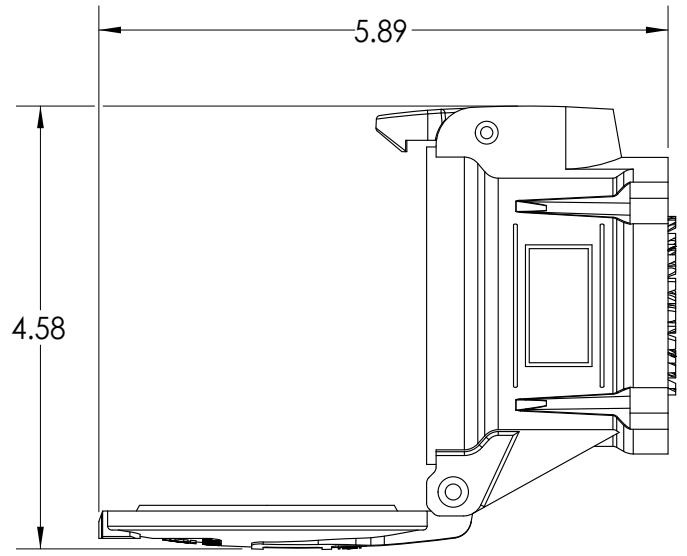
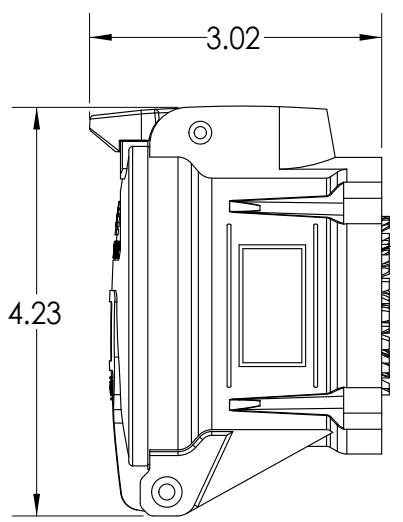
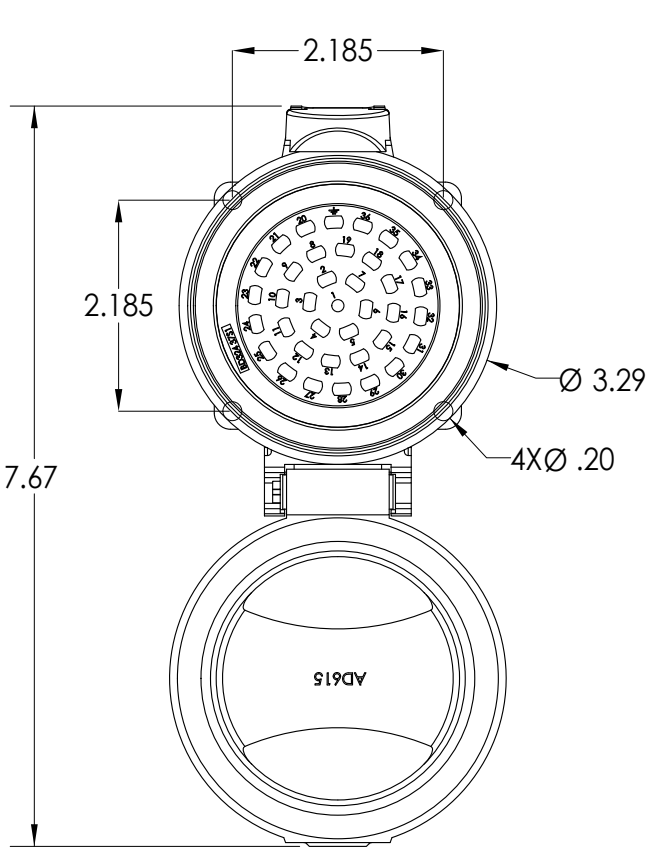
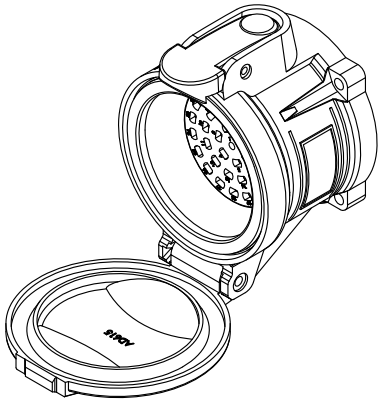
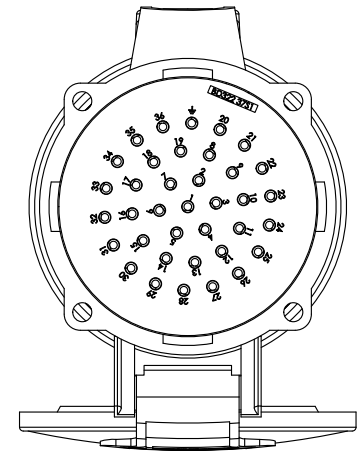


This drawing is the property of MELTRIC Corporation, Franklin (Milwaukee), Wisconsin, USA. Any unauthorized copying of this drawing by any means, or disclosure of its contents to any person not authorized by MELTRIC Corporation or its agents to receive it, is strictly prohibited.



ENTRY HOLE PATTERN



TOLERANCES UNLESS OTHERWISE SPECIFIED MACHINED SURFACES $\sqrt[125]{\text{MAX}}$ GROUND SURFACES $\sqrt[32]{\text{MAX}}$ ANGLE TOLERANCE $\pm 1^\circ$ REMOVE BURRS & SHARP EDGES TO .015 MAX. DIMENSIONS SHOWN IN OVALS ARE INSPECTION DIMENSIONS.		<b>ENGLISH</b> $0.X \pm 0.05$ $0.XX \pm 0.01$ $0.XXX \pm 0.005$		 A COMPANY OF MARÉCHAL ÉLECTRIQUE	
DRAWN: _____ DATE: _____		APPROVED: _____ DATE: _____		DRAWING TITLE: <b>DSN37c RECEPTACLE</b>	
SHEET: 1 OF 1		SCALE: NTS		MATERIAL: BLUE POLY	
PART NUMBER <b>63-C4003</b>				REVISION	