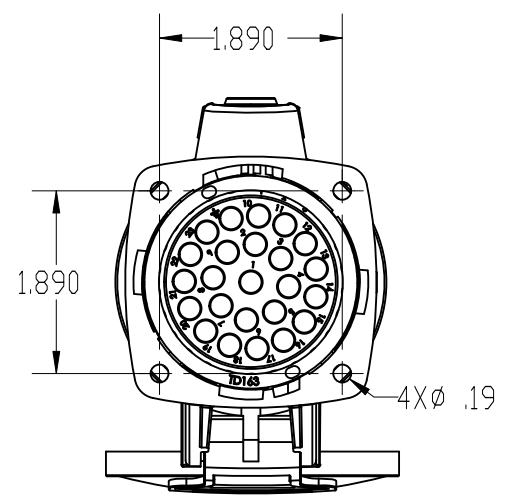
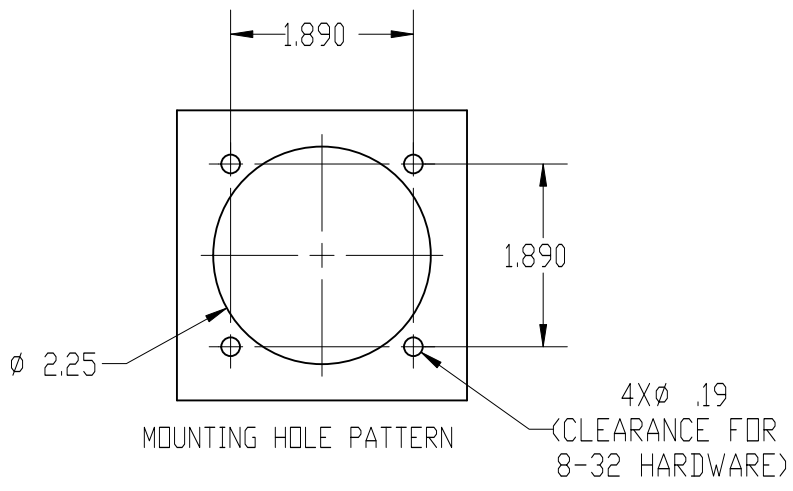
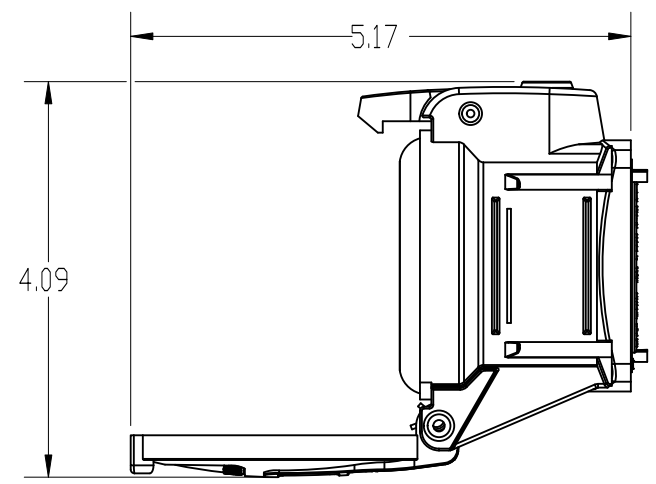
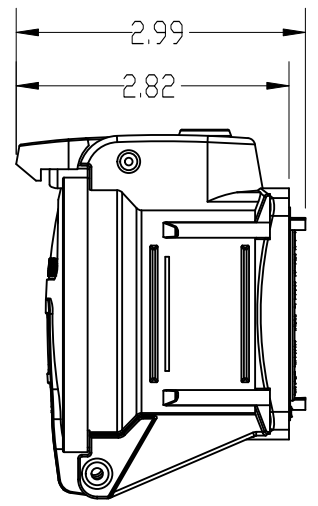
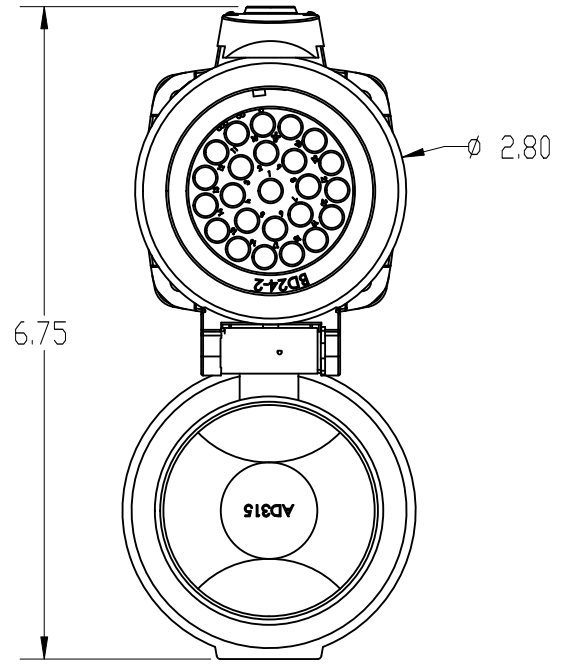


This drawing is the property of MELTRIC Corporation, Franklin (Milwaukee), Wisconsin, USA. Any unauthorized copying of this drawing by any means, or disclosure of its contents to any person not authorized by MELTRIC Corporation or its agents to receive it, is strictly prohibited.



TOLERANCES UNLESS OTHERWISE SPECIFIED		 <b>MELTRIC</b> A COMPANY OF MARÉCHAL ÉLECTRIC	
MACHINED SURFACES	125 MAX		
GROUND SURFACES	32 MAX	DRAWING TITLE:	
ANGLE TOLERANCE	± 1°	DATE:	SCALE
REMOVE BURRS & SHARP EDGES TO .015 MAX.		NTS	
DIMENSIONS SHOWN IN OVALS ARE INSPECTION DIMENSIONS.	ENGLISH	MATERIAL:	
	0.X ±0.05	PART NUMBER	
0.XX ±0.01	1 OF 1		REVISION
0.XXX ±0.005	63-B4002		