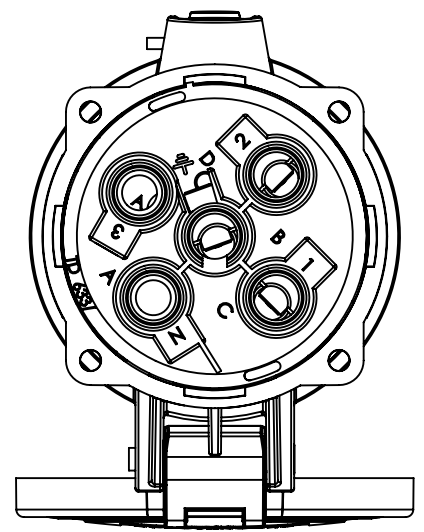
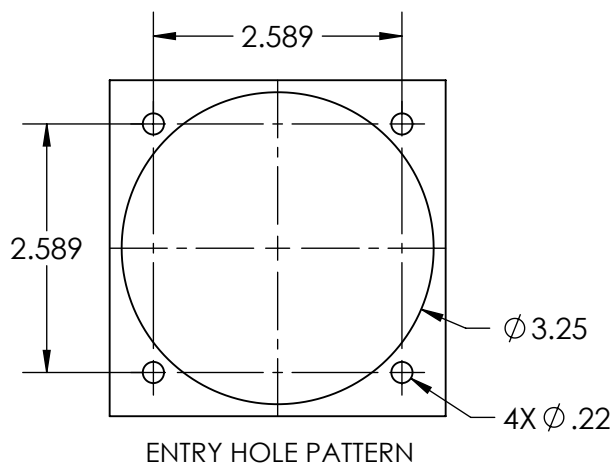
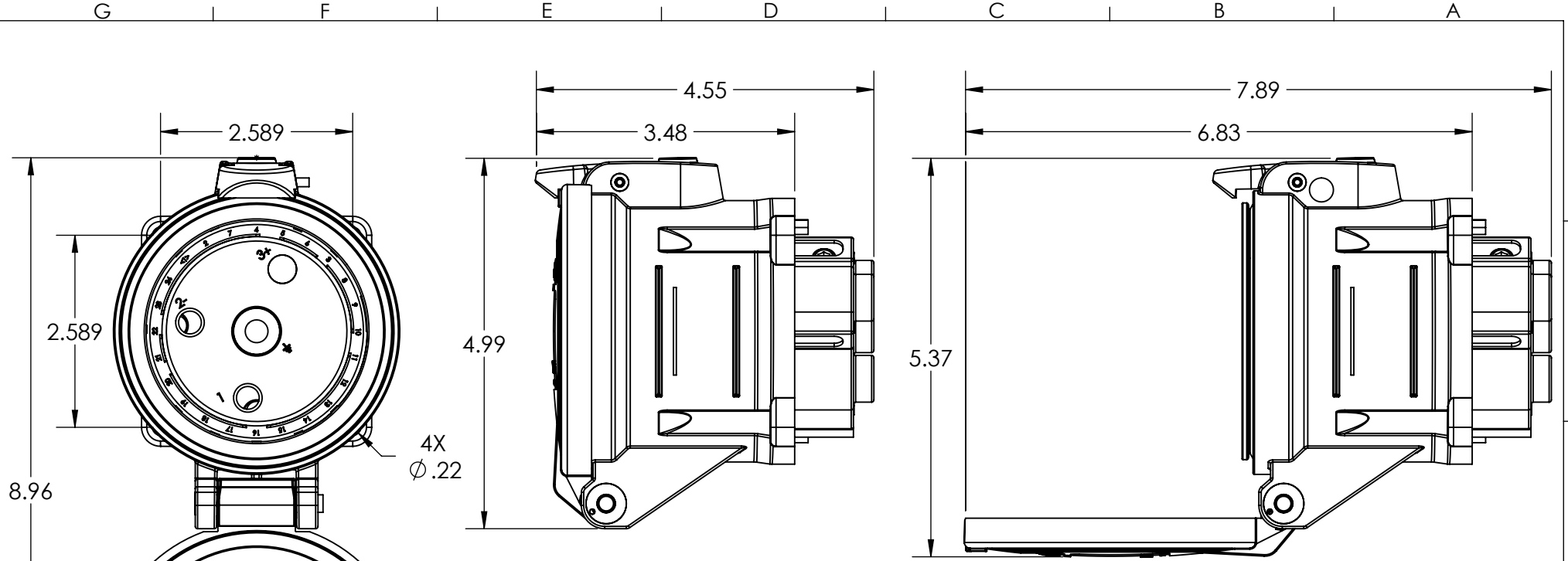


This drawing is the property of MELTRIC Corporation, Franklin (Milwaukee) Wisconsin, USA. Any unauthorized copying of this drawing by any means, ENGR/D/06 REV: 21 ISSUED DATE: 10/7/16 or disclosure of its contents to any person not authorized by MELTRIC Corporation or its agents to receive it, is strictly prohibited.



TOLERANCES UNLESS OTHERWISE SPECIFIED		 <b>MELTRIC</b> A COMPANY OF MARÉCHAL ÉLECTRIC		DRAWING TITLE:	
MACHINED SURFACES $\sqrt[125]{\text{MAX}}$	ENGLISH			DRAWN	APPROVED
GROUND SURFACES $\sqrt[32]{\text{MAX}}$	0.X $\pm 0.05$ 0.XX $\pm 0.01$ 0.XXX $\pm 0.005$	DATE:		SCALE	MATERIAL:
ANGLE TOLERANCE $\pm 1^\circ$		DATE:		NTS	POLY CASING
REMOVE BURRS & SHARP EDGES TO .015 MAX.	DIMENSIONS SHOWN IN OVALS ARE INSPECTION DIMENSIONS.	SHEET:		PART NUMBER	
		1 OF 1		63-84xxx	
				REVISION	