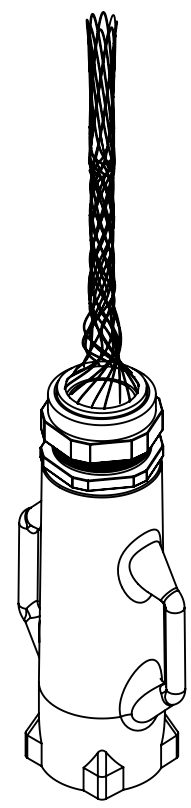
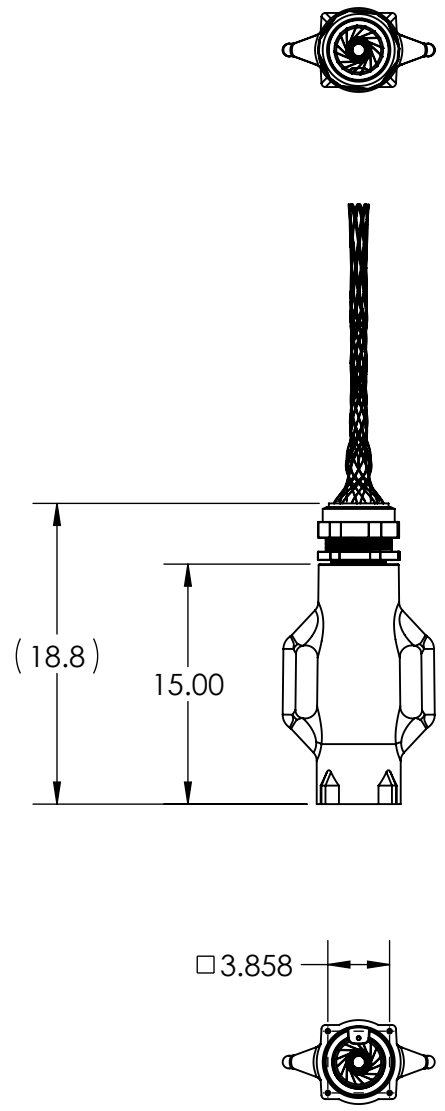
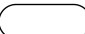



This drawing is the property of MELTRIC Corporation, Franklin (Milwaukee) Wisconsin, USA. Any unauthorized copying of this drawing by any means, ENGR/D/06 REV: 21 ISSUED DATE: 10/7/16 or disclosure of its contents to any person not authorized by MELTRIC Corporation or its agents to receive it, is strictly prohibited.



PART NUMBER	CABLE RANGE
5T7P0JT1	2.062" TO 2.188"
5T7P0JT2	2.188" TO 2.312"
5T7P0JT3	2.312" TO 2.438"
5T7P0KT1	2.437" TO 2.625"
5T7P0KT2	2.625" TO 2.812"

TOLERANCES UNLESS OTHERWISE SPECIFIED	
MACHINED SURFACES $\sqrt[125]{\text{MAX}}$	ENGLISH 0.X ±0.05 0.XX ±0.01 0.XXX ±0.005
GROUND SURFACES $\sqrt[32]{\text{MAX}}$	
ANGLE TOLERANCE ±1°	
REMOVE BURRS & SHARP EDGES TO .015 MAX.	
 DIMENSIONS SHOWN IN OVALS ARE INSPECTION DIMENSIONS.	

		DRAWING TITLE:	
A COMPANY OF MARÉCHAL ÉLECTRIC		LARGE HANDLE & CORD GRIP W/STRAIN RELIEF	
DRAWN	APPROVED	SCALE	MATERIAL:
DATE:		NTS	ALUMINUM HANDLE
SHEET:	PART NUMBER		REVISION
1 OF 1	5T7P0xTx		