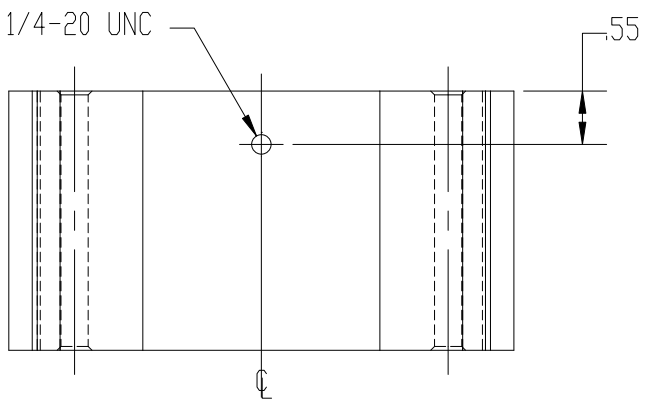
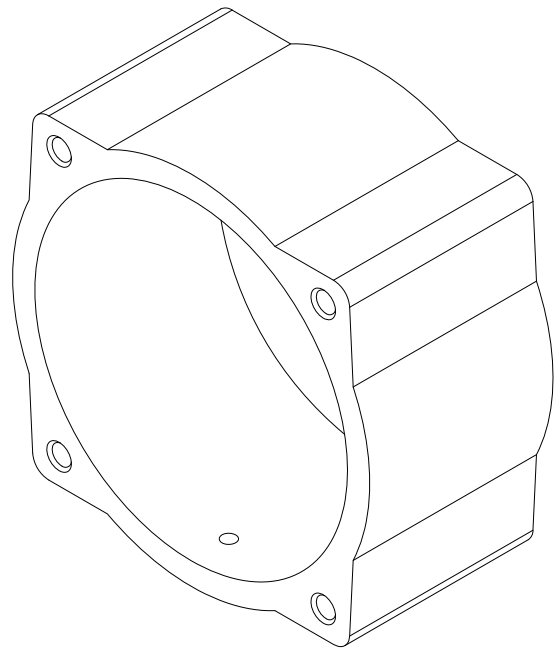
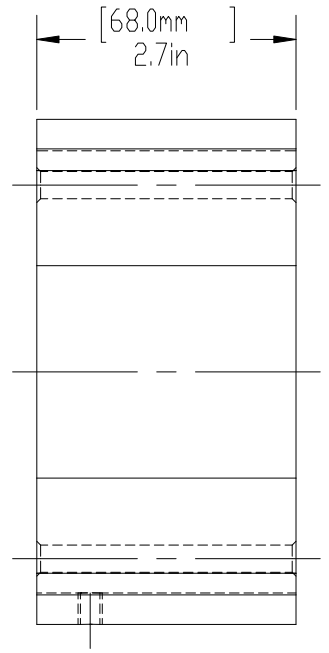
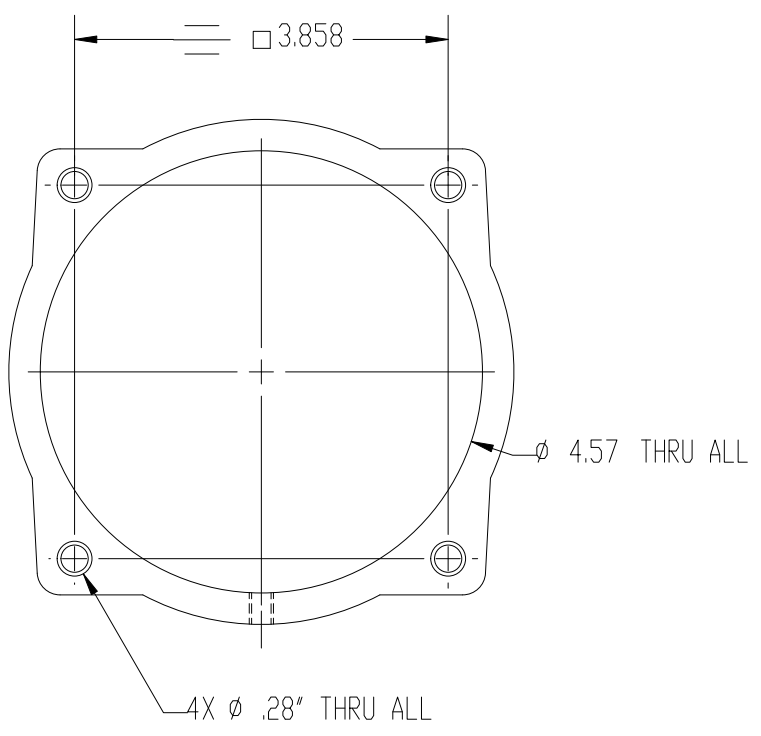


This drawing is the property of MELTRIC Corporation, Franklin (Milwaukee), Wisconsin, USA. Any unauthorized copying of this drawing by any means, or disclosure of its contents to any person not authorized by MELTRIC Corporation or its agents to receive it, is strictly prohibited.



TOLERANCES UNLESS OTHERWISE SPECIFIED		 A COMPANY OF MARÉCHAL ÉLECTRIQUE	
MACHINED SURFACES	$\sqrt{125}$ MAX		
GROUND SURFACES	$\sqrt{32}$ MAX	$0.X \pm 0.05$	DRAWN
ANGLE TOLERANCE	$\pm 1^\circ$	$0.XX \pm 0.01$	APPROVED
REMOVE BURRS & SHARP EDGES TO .015 MAX.		$0.XXX \pm 0.005$	DATE:
DIMENSIONS SHOWN IN OVALS ARE INSPECTION DIMENSIONS.			SCALE
			NTS
			MATERIAL:
			PAINTED METAL, BLACK
		SHEET:	PART NUMBER
		1 OF 1	5K7M0-68
			REVISION