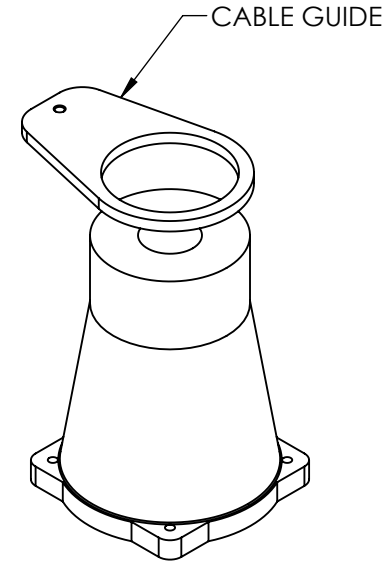
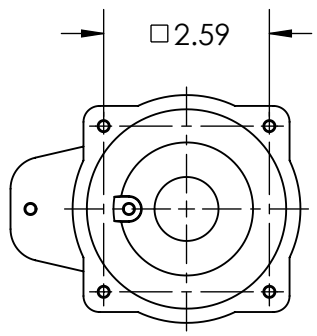
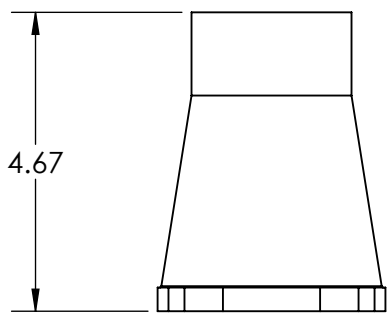
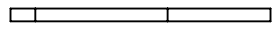
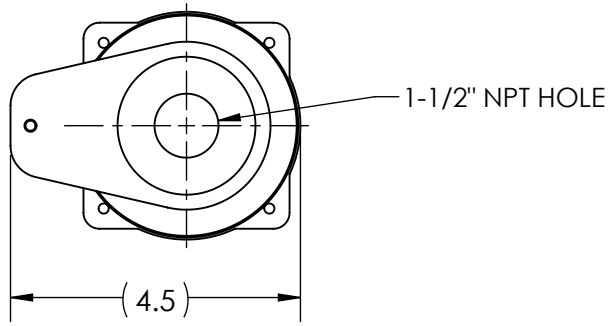
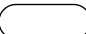



This drawing is the property of MELTRIC Corporation, Franklin (Milwaukee) Wisconsin, USA. Any unauthorized copying of this drawing by any means, ENGR/D/06 REV: 21 ISSUED DATE: 10/7/16 or disclosure of its contents to any person not authorized by MELTRIC Corporation or its agents to receive it, is strictly prohibited.

G F E D C B A



1
2
3
4
5
6

| | |
|--|--|
| TOLERANCES UNLESS OTHERWISE SPECIFIED | |
| MACHINED SURFACES $\sqrt[125]{\text{MAX}}$ | ENGLISH 0.X ±0.05 0.XX ±0.01 0.XXX ±0.005 |
| GROUND SURFACES $\sqrt[32]{\text{MAX}}$ | |
| ANGLE TOLERANCE ±1° | |
| REMOVE BURRS & SHARP EDGES TO .015 MAX. | |
|  DIMENSIONS SHOWN IN OVALS ARE INSPECTION DIMENSIONS. | |

| | | | |
|---|-------------|---|----------|
|  A COMPANY OF MARÉCHAL ELECTRIC | | DRAWING TITLE: | |
| | | SIZE 4 HANDLE WITH 1-1/2" NPT & CABLE GUIDE | |
| DATE: | SCALE | MATERIAL: | |
| | NTS | PAINTED METAL | |
| SHEET: | PART NUMBER | | REVISION |
| 1 OF 1 | 594PON15443 | | |