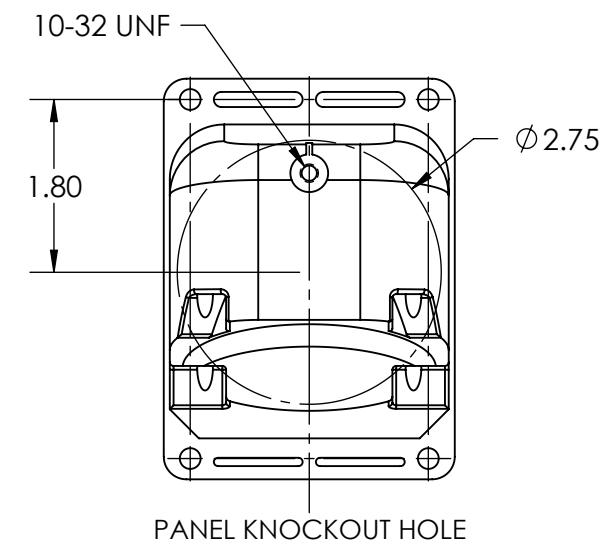
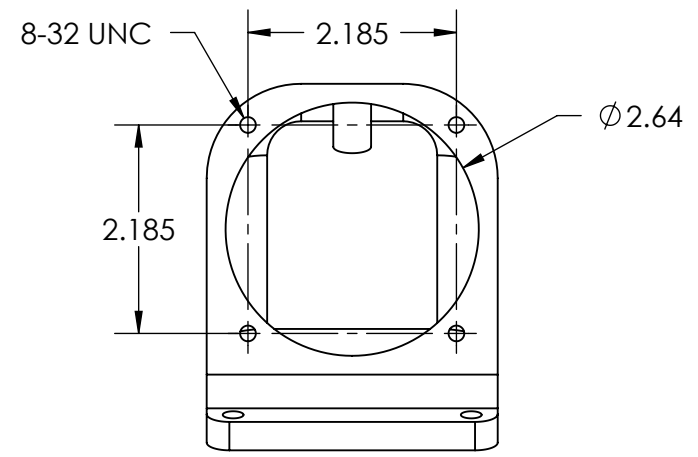
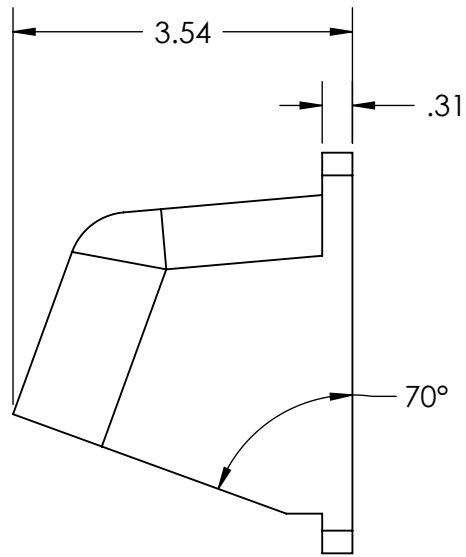
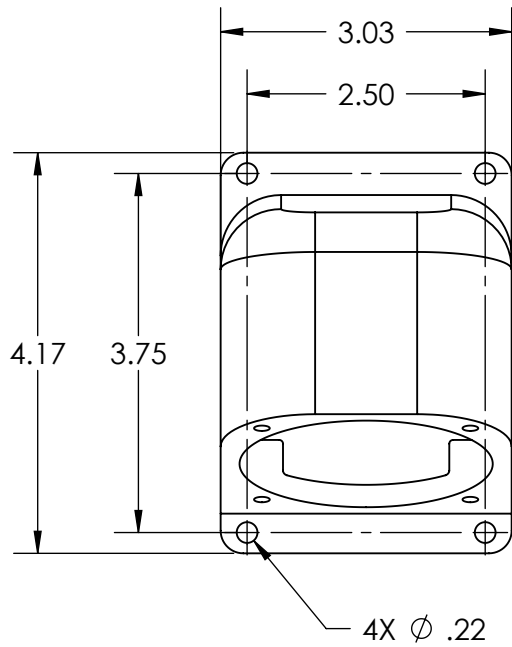
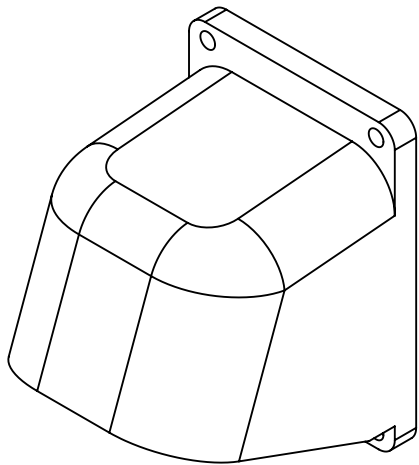


This drawing is the property of MELTRIC Corporation, Franklin (Milwaukee) Wisconsin, USA. Any unauthorized copying of this drawing by any means, ENG/RD/06 REV: 20 ISSUED DATE: 1/15/11 or disclosure of its contents to any person not authorized by MELTRIC Corporation or its agents to receive it, is strictly prohibited.



TOLERANCES UNLESS OTHERWISE SPECIFIED		 A COMPANY OF MARÉCHAL ÉLECTRIC		
MACHINED SURFACES $\sqrt[125]{\text{MAX}}$	ENGLISH			
GROUND SURFACES $\sqrt[32]{\text{MAX}}$	0.X ±0.05	DRAWN	APPROVED	DRAWING TITLE:
ANGLE TOLERANCE ±1°	0.XX ±0.01	DATE:		70° METAL ADAPTER
REMOVE BURRS & SHARP EDGES TO .015 MAX.	0.XXX ±0.005	SCALE	MATERIAL:	
DIMENSIONS SHOWN IN OVALS ARE INSPECTION DIMENSIONS.		NTS	PAINTED METAL	
		SHEET: 1 OF 1	PART NUMBER	
		593M7		REVISION