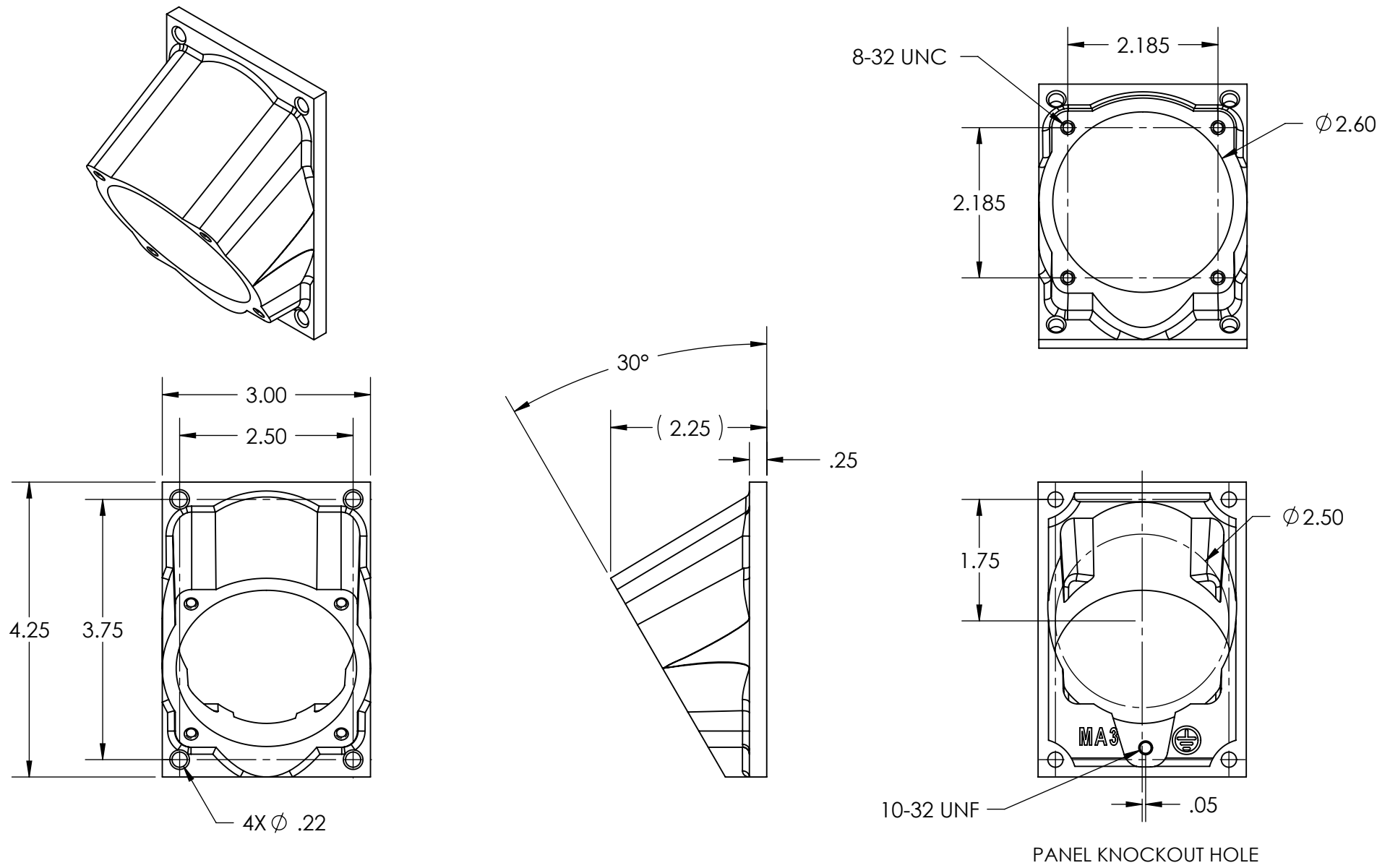


This drawing is the property of MELTRIC Corporation, Franklin (Milwaukee), Wisconsin, USA. Any unauthorized copying of this drawing by any means, ENG/RD/06 REV: 20 ISSUED DATE: 1/15/11 or disclosure of its contents to any person not authorized by MELTRIC Corporation or its agents to receive it, is strictly prohibited.



| | | | | |
|---|--|--|-------|----------------|
| TOLERANCES UNLESS OTHERWISE SPECIFIED | | MELTRIC A COMPANY OF MARECHAL ELECTRIC | | |
| MACHINED SURFACES $\sqrt[125]{\text{MAX}}$ GROUND SURFACES $\sqrt[32]{\text{MAX}}$ ANGLE TOLERANCE $\pm 1^\circ$ REMOVE BURRS & SHARP EDGES TO .015 MAX. | ENGLISH $0.X \pm 0.05$ $0.XX \pm 0.01$ $0.XXX \pm 0.005$ | | | DRAWING TITLE: |
| | | DATE: | SCALE | MATERIAL: |
| | | SHEET: | NTS | PAINTED METAL |
| | | 1 OF 1 | 593M3 | PART NUMBER |
| | | | | REVISION |