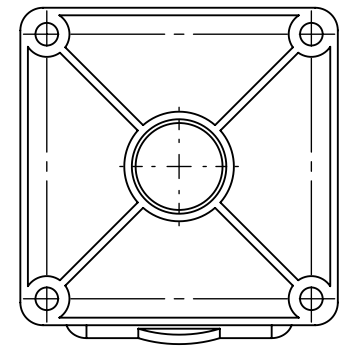
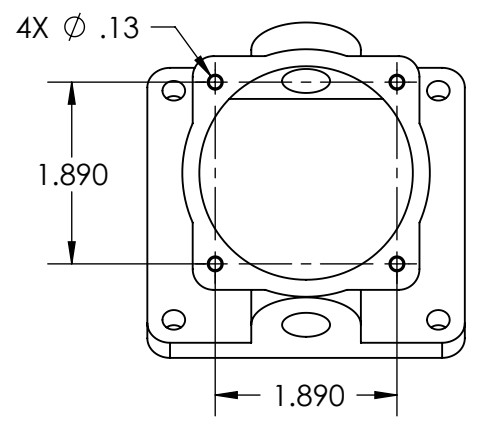
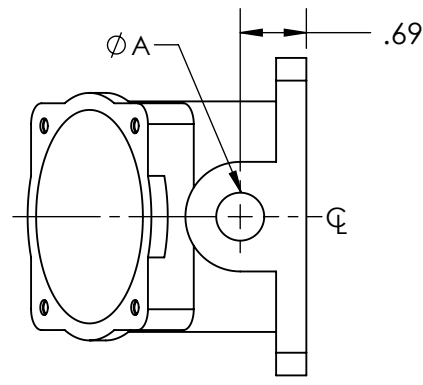
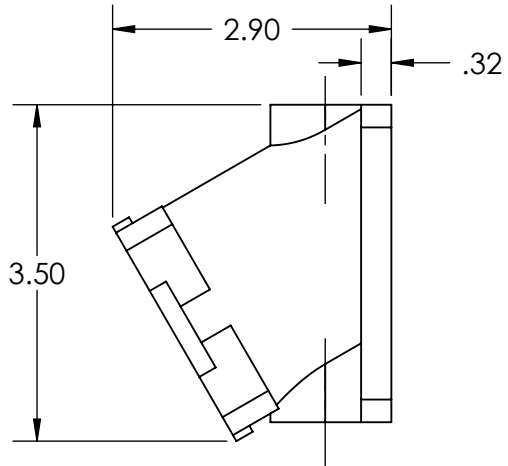
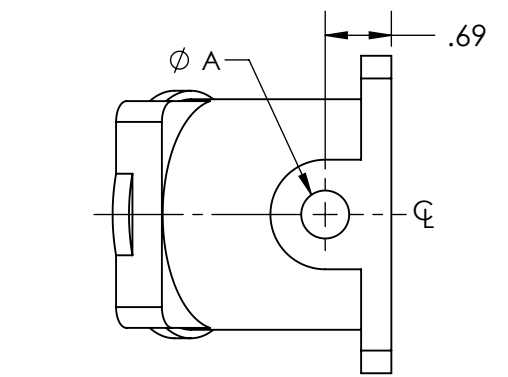
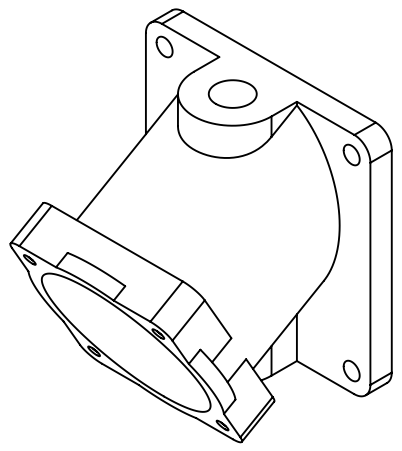
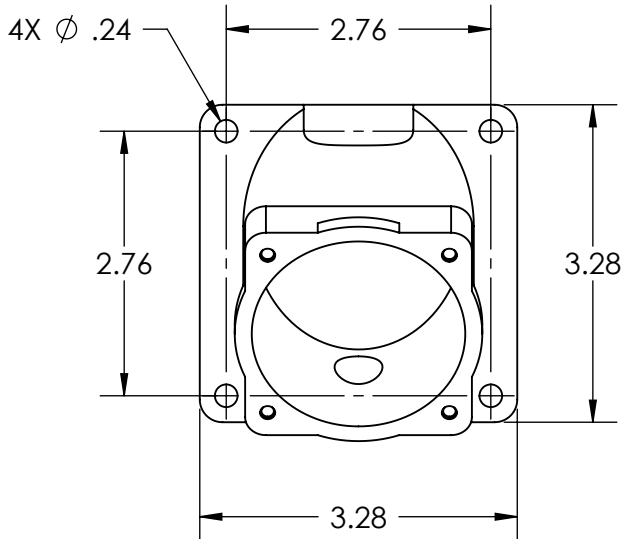
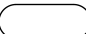



This drawing is the property of MELTRIC Corporation, Franklin (Milwaukee) Wisconsin, USA. Any unauthorized copying of this drawing by any means, ENG/RD/06 REV: 20 ISSUED DATE: 1/15/11 or disclosure of its contents to any person not authorized by MELTRIC Corporation or its agents to receive it, is strictly prohibited.



PART NUMBER	NPT A
512B3N05	1/2" NPT
512B3N07	3/4" NPT

NOTE: INTERNAL VOLUME 8.7 CUBIC INCHES.

TOLERANCES UNLESS OTHERWISE SPECIFIED		ENGLISH
MACHINED SURFACES $\sqrt[125]{\text{MAX}}$		
GROUND SURFACES $\sqrt[32]{\text{MAX}}$		
ANGLE TOLERANCE ±1°		
REMOVE BURRS & SHARP EDGES TO .015 MAX.		
 DIMENSIONS SHOWN IN OVALS ARE INSPECTION DIMENSIONS.		

 A COMPANY OF MARÉCHAL ÉLECTRIC		DRAWING TITLE:	
		POLY CONDUIT ENTRY	
DRAWN: _____ DATE: _____	APPROVED: _____ SCALE: NTS	MATERIAL: BLUE POLY	
SHEET: 1 OF 1	PART NUMBER: 512B3Nxx	REVISION: _____	