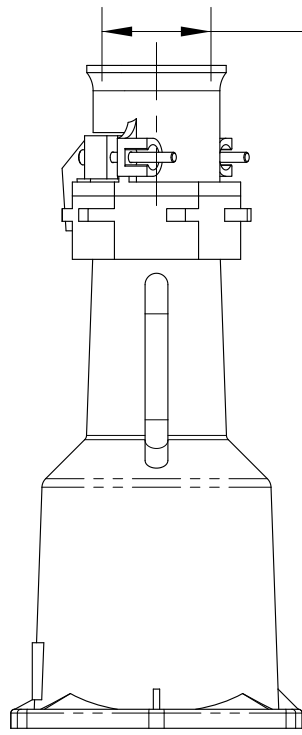
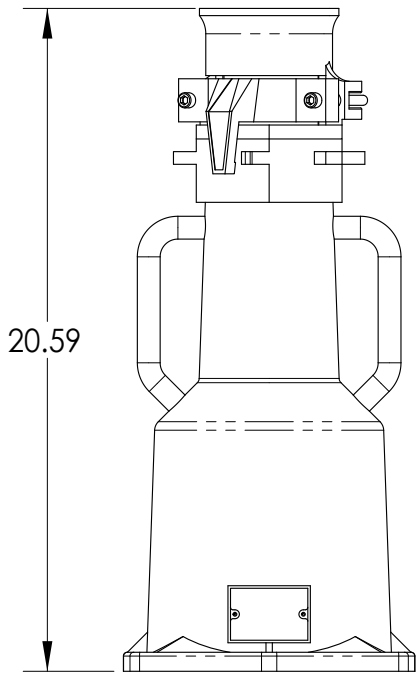
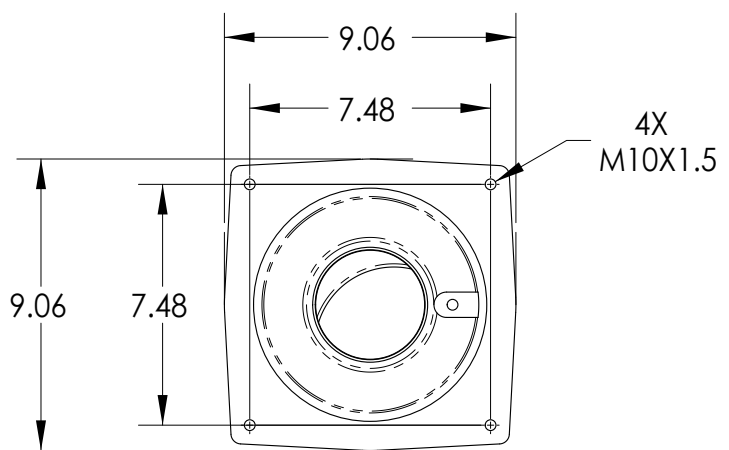
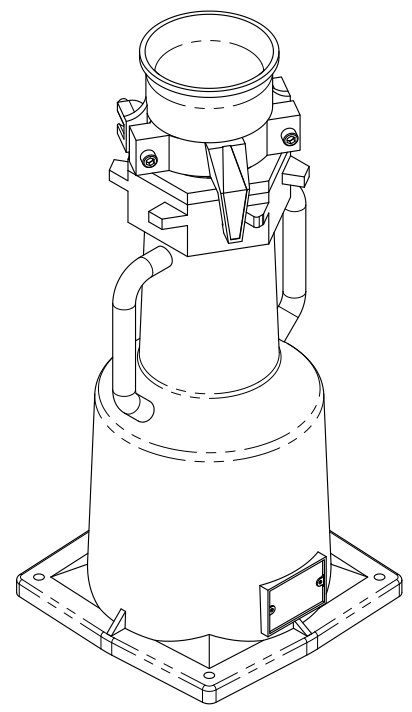


This drawing is the property of MELTRIC Corporation, Franklin (Milwaukee), Wisconsin, USA. Any unauthorized copying of this drawing by any means, or disclosure of its contents to any person not authorized by MELTRIC Corporation or its agents to receive it, is strictly prohibited.




[86mm]
 Ø 3.39in
 MAXIMUM CABLE
 BUNDLE DIA.



PART NUMBER	CABLE RANGE
49-3A013-200	2.000" - 2.125"
49-3A013-225	2.125" - 2.250"
49-3A013-237	2.250" - 2.375"
49-3A013-250	2.375" - 2.500"
49-3A013-275	2.500" - 2.750"
49-3A013-300	2.750" - 3.000"
49-3A013-312	3.000" - 3.125"
49-3A013-335	3.125" - 3.350"
49-3A013-350	3.350" - 3.390"

APPROX WEIGHT = 10 LBS.

TOLERANCES UNLESS OTHERWISE SPECIFIED MACHINED SURFACES $\sqrt[125]{\text{MAX}}$ GROUND SURFACES $\sqrt[32]{\text{MAX}}$ ANGLE TOLERANCE $\pm 1^\circ$ REMOVE BURRS & SHARP EDGES TO .015 MAX. DIMENSIONS SHOWN IN OVALS ARE INSPECTION DIMENSIONS.		<input checked="" type="checkbox"/> ENGLISH 0.X ± 0.05 0.XX ± 0.01 0.XXX ± 0.005	 A COMPANY OF MARÉCHAL ELECTRIC	
DRAWN: _____ DATE: _____	APPROVED: _____ SCALE: NTS	DRAWING TITLE: PF300 METAL STRAIGHT HANDLE		
SHEET: 1 OF 1	PART NUMBER: 49-3A013-xxx	MATERIAL: PAINTED METAL	REVISION: _____	