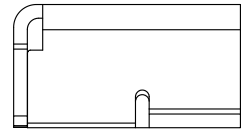
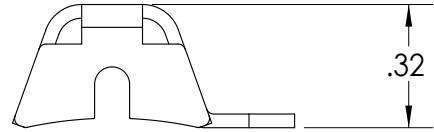
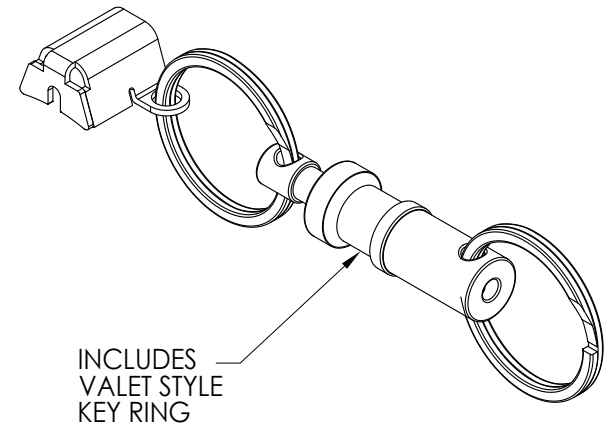
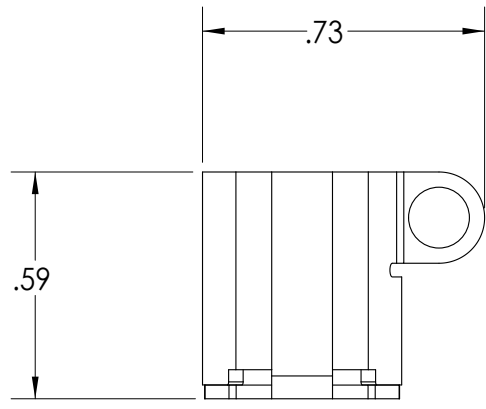

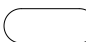


This drawing is the property of MELTRIC Corporation, Franklin (Milwaukee), Wisconsin, USA. Any unauthorized copying of this drawing by any means, or disclosure of its contents to any person not authorized by MELTRIC Corporation or its agents to receive it, is strictly prohibited.

G F E D C B A



TOLERANCES UNLESS OTHERWISE SPECIFIED		 A COMPANY OF MARECHAL ELECTRIC		DRAWING TITLE:	
MACHINED SURFACES $\sqrt[125]{\text{MAX}}$	<b>ENGLISH</b>  $0.X \pm 0.05$ $0.XX \pm 0.01$ $0.XXX \pm 0.005$			DATE:	SCALE
GROUND SURFACES $\sqrt[32]{\text{MAX}}$			NTS	STAINLESS STEEL	
ANGLE TOLERANCE $\pm 1^\circ$		SHEET:	PART NUMBER		REVISION
REMOVE BURRS & SHARP EDGES TO .015 MAX.		1 OF 1	45-3A396		
 DIMENSIONS SHOWN IN OVALS ARE INSPECTION DIMENSIONS.					