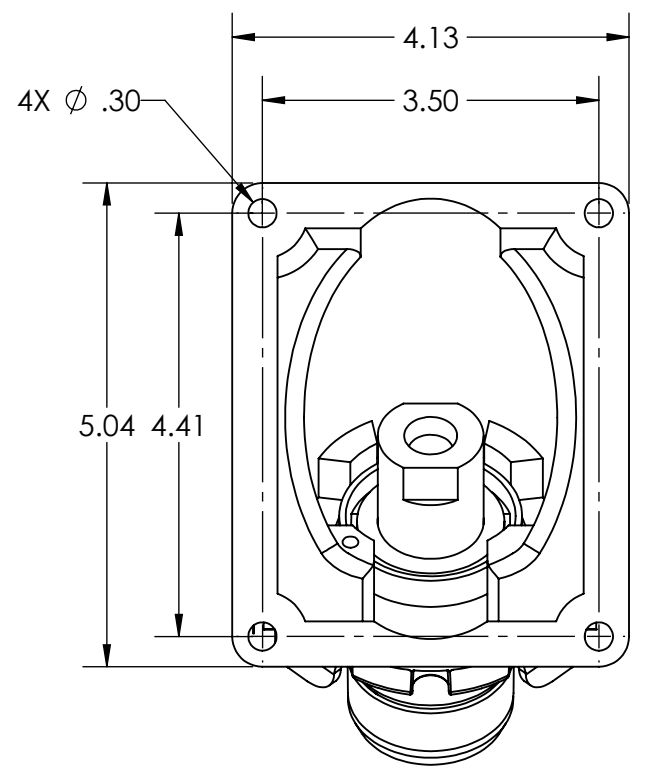
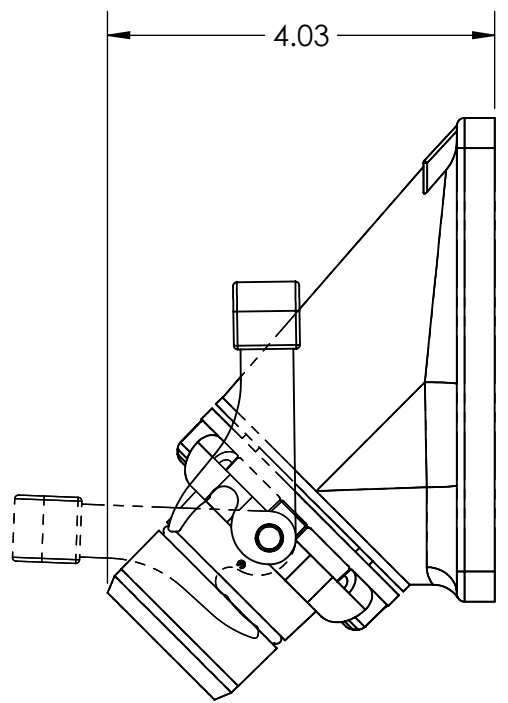
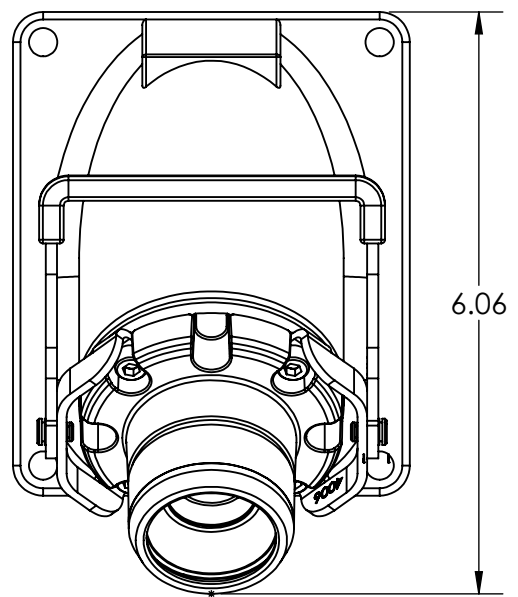
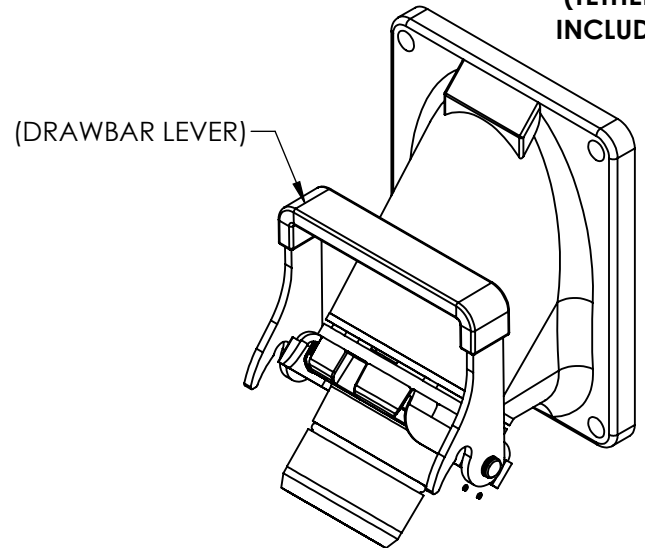


This drawing is the property of MELTRIC Corporation, Franklin (Milwaukee), Wisconsin, USA. Any unauthorized copying of this drawing by any means, ENGR/D/06 REV: 21 ISSUED DATE: 10/7/16 or disclosure of its contents to any person not authorized by MELTRIC Corporation or its agents to receive it, is strictly prohibited.


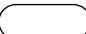


(TETHERED RUBBER INLET CAP INCLUDED BUT NOT DEPICTED)



PART NUMBER	POLARITY
44-49001-P80*	L1
44-49002-P80*	L2
44-49003-P80*	L3
44-4900N-P80*	NEUTRAL
44-4900T-P80	GROUND
44-4900P	POSITIVE
44-4900M	NEGATIVE

***FOR >250V, USE SUFFIX -P88**

TOLERANCES UNLESS OTHERWISE SPECIFIED		 A COMPANY OF MARÉCHAL ÉLECTRIC	
MACHINED SURFACES $\sqrt[125]{\text{MAX}}$	ENGLISH		
GROUND SURFACES $\sqrt[32]{\text{MAX}}$	0.X ±0.05	DRAWN	APPROVED
ANGLE TOLERANCE ±1°	0.XX ±0.01	DRAWING TITLE:	
REMOVE BURRS & SHARP EDGES TO .015 MAX.	0.XXX ±0.005	DATE:	SCALE
 DIMENSIONS SHOWN IN OVALS ARE INSPECTION DIMENSIONS.		MATERIAL:	
		SHEET: 1 OF 1	PART NUMBER: 44-4900x-P80
			REVISION