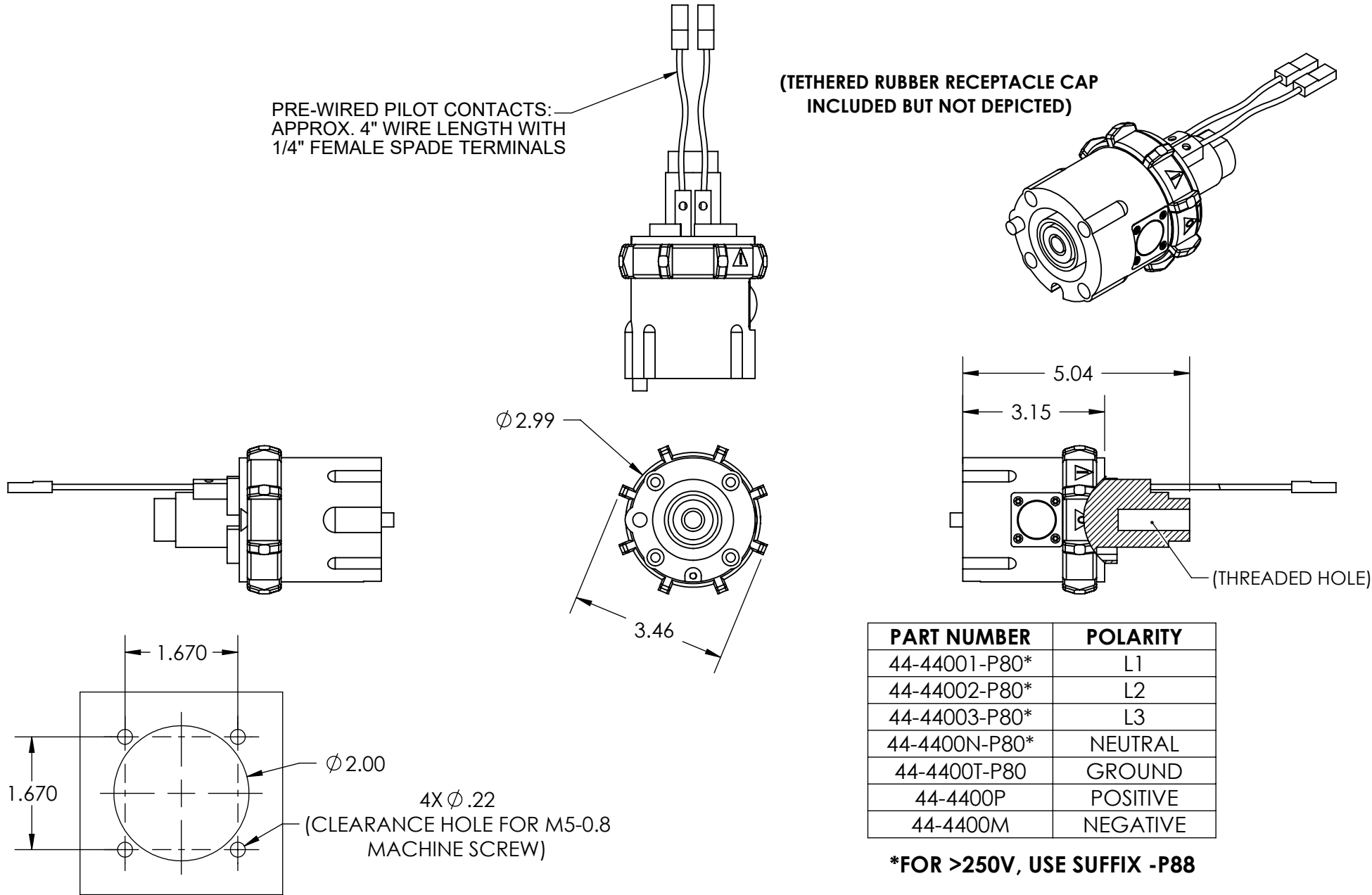


This drawing is the property of MELTRIC Corporation, Franklin (Milwaukee) Wisconsin, USA. Any unauthorized copying of this drawing by any means, ENG/RD/06 REV: 21 ISSUED DATE: 10/7/16 or disclosure of its contents to any person not authorized by MELTRIC Corporation or its agents to receive it, is strictly prohibited.

G F E D C B A

PRE-WIRED PILOT CONTACTS:  
APPROX. 4" WIRE LENGTH WITH  
1/4" FEMALE SPADE TERMINALS

(TETHERED RUBBER RECEPTACLE CAP  
INCLUDED BUT NOT DEPICTED)



PART NUMBER	POLARITY
44-44001-P80*	L1
44-44002-P80*	L2
44-44003-P80*	L3
44-4400N-P80*	NEUTRAL
44-4400T-P80	GROUND
44-4400P	POSITIVE
44-4400M	NEGATIVE

**\*FOR >250V, USE SUFFIX -P88**

ENTRY HOLE PATTERN

TOLERANCES UNLESS OTHERWISE SPECIFIED		 A COMPANY OF MARÉCHAL ÉLECTRIC		
MACHINED SURFACES $\sqrt[125]{\text{MAX}}$ GROUND SURFACES $\sqrt[32]{\text{MAX}}$ ANGLE TOLERANCE $\pm 1^\circ$ REMOVE BURRS & SHARP EDGES TO .015 MAX.	<b>ENGLISH</b> 0.X $\pm 0.05$ 0.XX $\pm 0.01$ 0.XXX $\pm 0.005$			DRAWN
DIMENSIONS SHOWN IN OVALS ARE INSPECTION DIMENSIONS.		DATE:	SCALE: NTS	DRAWING TITLE: SP-600A RECEPTACLE W/OUT LUG
		SHEET: 1 OF 1	PART NUMBER: 44-4400x-P80	MATERIAL: BLACK POLY CASING
				REVISION