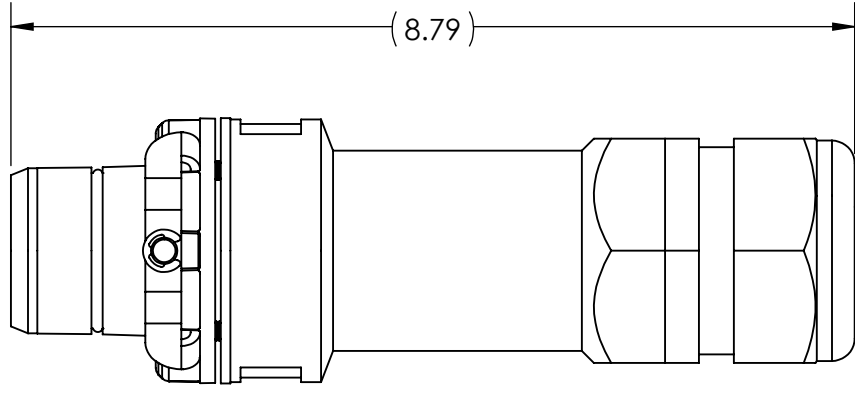
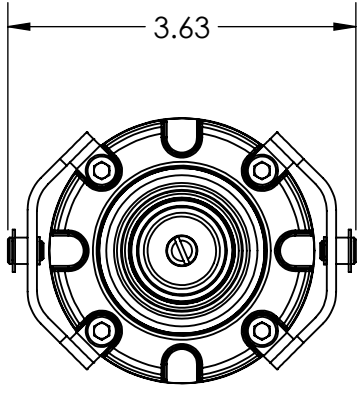
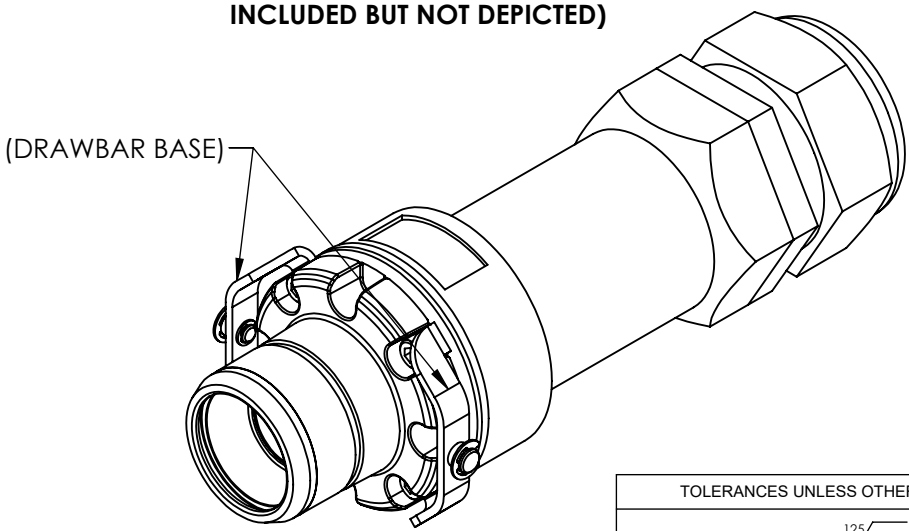


This drawing is the property of MELTRIC Corporation, Franklin (Milwaukee), Wisconsin, USA. Any unauthorized copying of this drawing by any means, ENG/RD/06 REV: 21 ISSUED DATE: 10/7/16 or disclosure of its contents to any person not authorized by MELTRIC Corporation or its agents to receive it, is strictly prohibited.

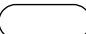



(TETHERED RUBBER INLET CAP INCLUDED BUT NOT DEPICTED)



PART NUMBER	POLARITY
44-41001-P80	L1
44-41002-P80	L2
44-41003-P80	L3
44-4100N-P80	NEUTRAL
44-4100T-P80	GROUND
44-4100P	POSITIVE
44-4100M	NEGATIVE

***FOR >250V, USE SUFFIX -P88**

TOLERANCES UNLESS OTHERWISE SPECIFIED	
MACHINED SURFACES $\sqrt[125]{\text{MAX}}$	ENGLISH 0.X ±0.05 0.XX ±0.01 0.XXX ±0.005
GROUND SURFACES $\sqrt[32]{\text{MAX}}$	
ANGLE TOLERANCE $\pm 1^\circ$	
REMOVE BURRS & SHARP EDGES TO .015 MAX.	
 DIMENSIONS SHOWN IN OVALS ARE INSPECTION DIMENSIONS.	

 A COMPANY OF MARÉCHAL ÉLECTRIC			
DRAWN: _____ DATE: _____	APPROVED: _____ SCALE: NTS PART NUMBER: 44-4100x-P80	DRAWING TITLE: SP PLUG W/DRAWBAR BASE MATERIAL: _____	
SHEET: 1 OF 1	REVISION: _____		