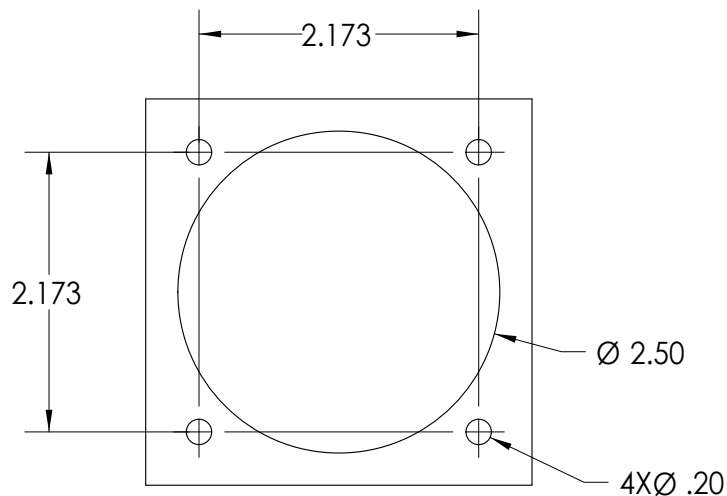
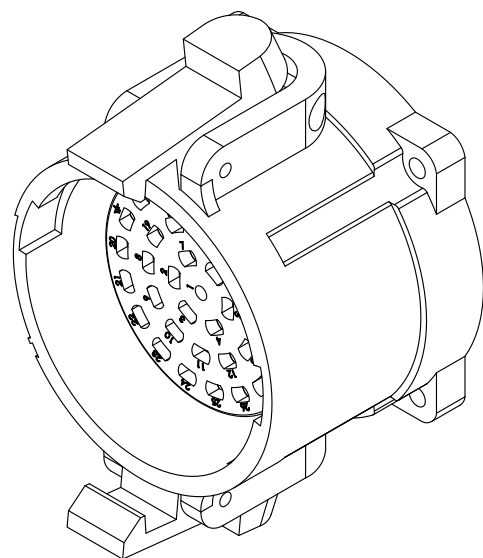
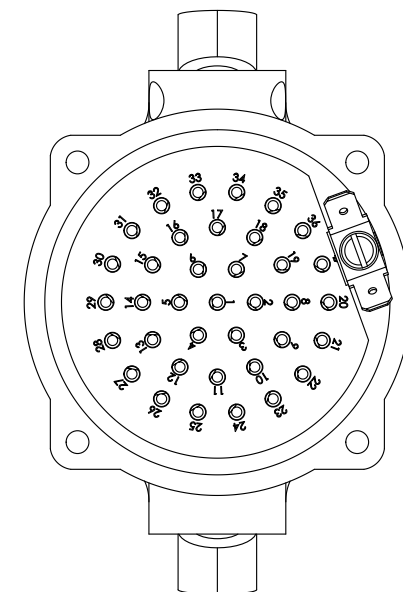
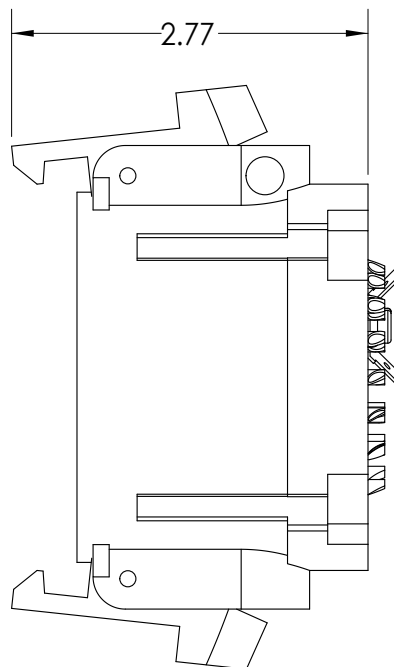
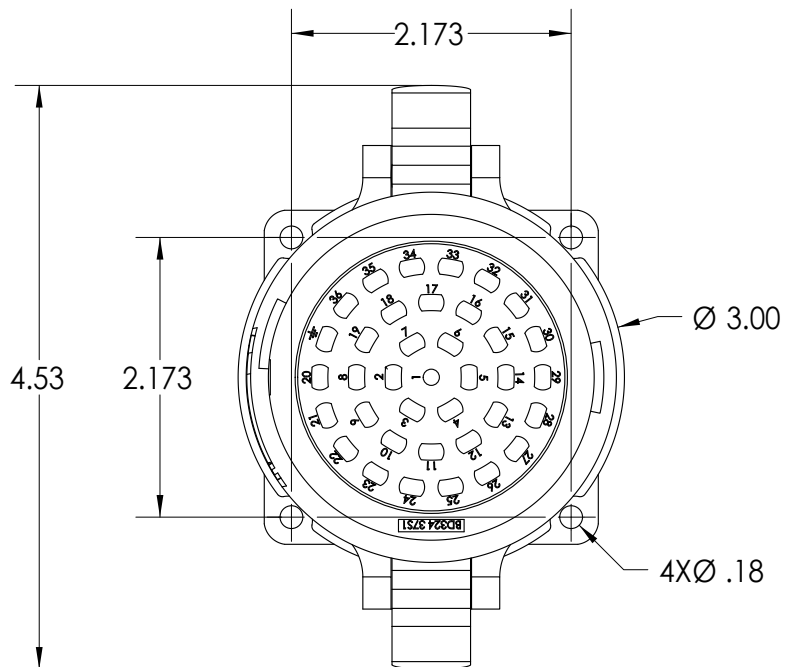



This drawing is the property of MELTRIC Corporation, Franklin (Milwaukee), Wisconsin, USA. Any unauthorized copying of this drawing by any means, or disclosure of its contents to any person not authorized by MELTRIC Corporation or its agents to receive it, is strictly prohibited.



ENTRY HOLE PATTERN

TOLERANCES UNLESS OTHERWISE SPECIFIED		MELTRIC		DRAWING TITLE:	
MACHINED SURFACES $\sqrt[125]{\text{MAX}}$	ENGLISH 0.X ± 0.05 0.XX ± 0.01 0.XXX ± 0.005	A COMPANY OF MARECHAL ELECTRIC		DS37c RECEPTACLE	
GROUND SURFACES $\sqrt[32]{\text{MAX}}$		DRAWN	APPROVED	SCALE	MATERIAL:
ANGLE TOLERANCE $\pm 1^\circ$		DATE:	NTS	STAINLESS STEEL	
REMOVE BURRS & SHARP EDGES TO .015 MAX.		SHEET:	PART NUMBER		REVISION
 DIMENSIONS SHOWN IN OVALS ARE INSPECTION DIMENSIONS.		1 OF 1	37-C4003-SS		