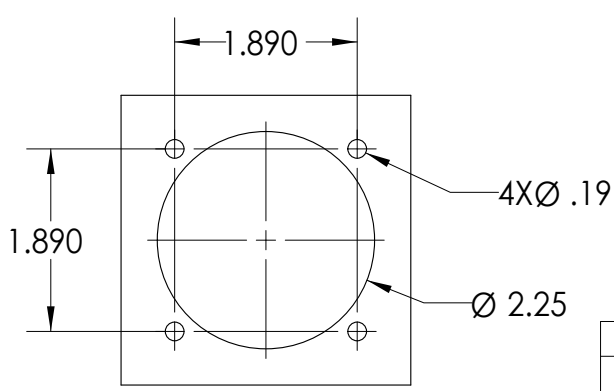
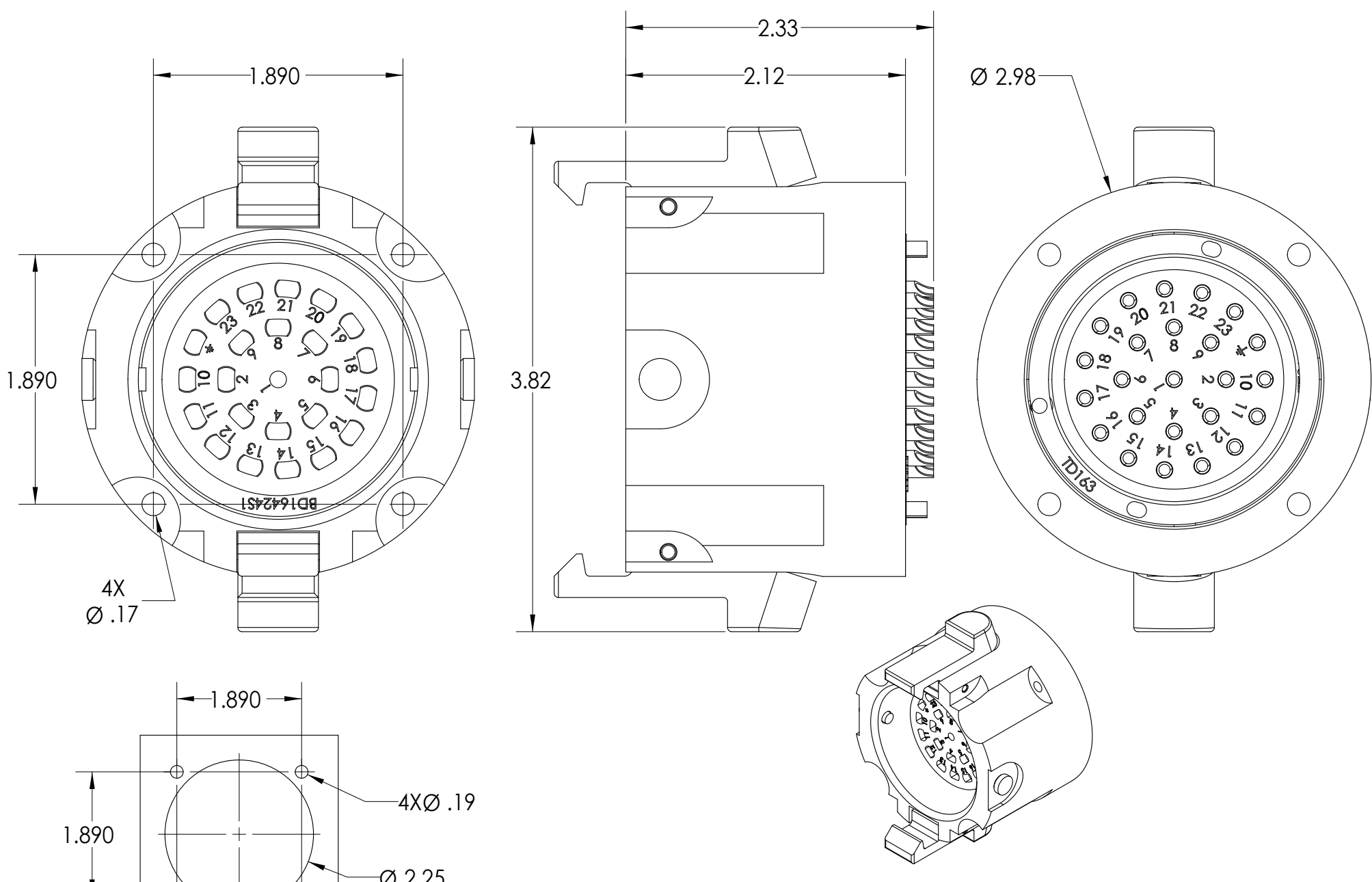



This drawing is the property of MELTRIC Corporation, Franklin (Milwaukee), Wisconsin, USA. Any unauthorized copying of this drawing by any means, or disclosure of its contents to any person not authorized by MELTRIC Corporation or its agents to receive it, is strictly prohibited.



TOLERANCES UNLESS OTHERWISE SPECIFIED		DRAWING TITLE:	
MACHINED SURFACES $\sqrt{125}$ MAX	ENGLISH	DS24c RECEPTACLE	
GROUND SURFACES $\sqrt{32}$ MAX		DATE:	SCALE
ANGLE TOLERANCE $\pm 1^\circ$	0.X $\pm 0.05$	NTS	MATERIAL:
REMOVE BURRS & SHARP EDGES TO .015 MAX.	0.XX $\pm 0.01$	STAINLESS STEEL	
 DIMENSIONS SHOWN IN OVALS ARE INSPECTION DIMENSIONS.	0.XXX $\pm 0.005$	SHEET:	REVISION
		1 OF 1	37-B4002-SS