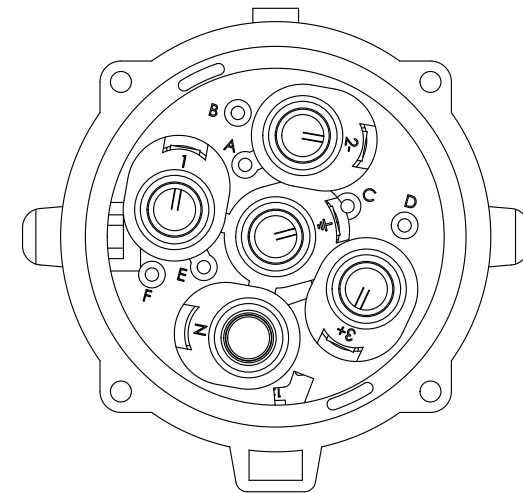
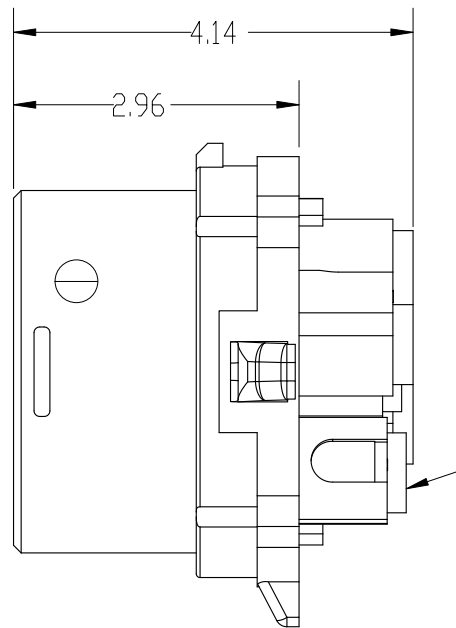
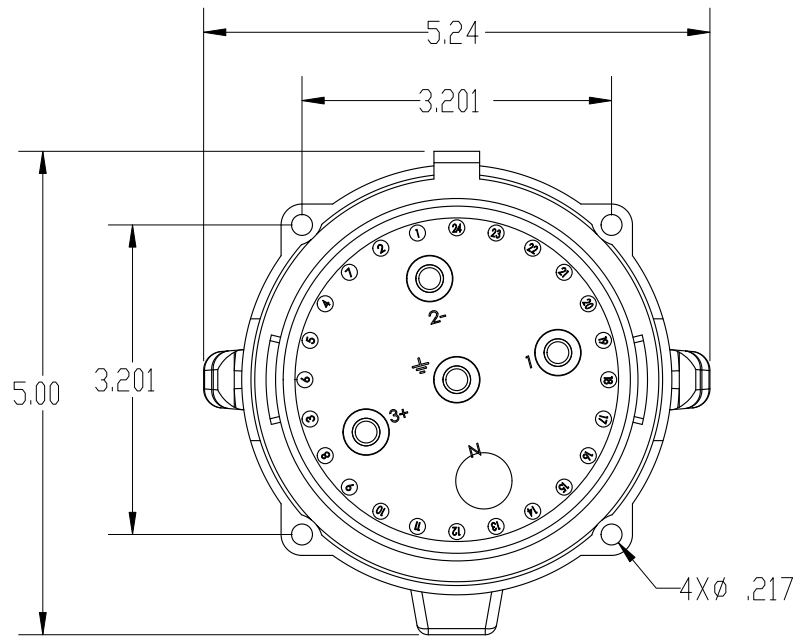
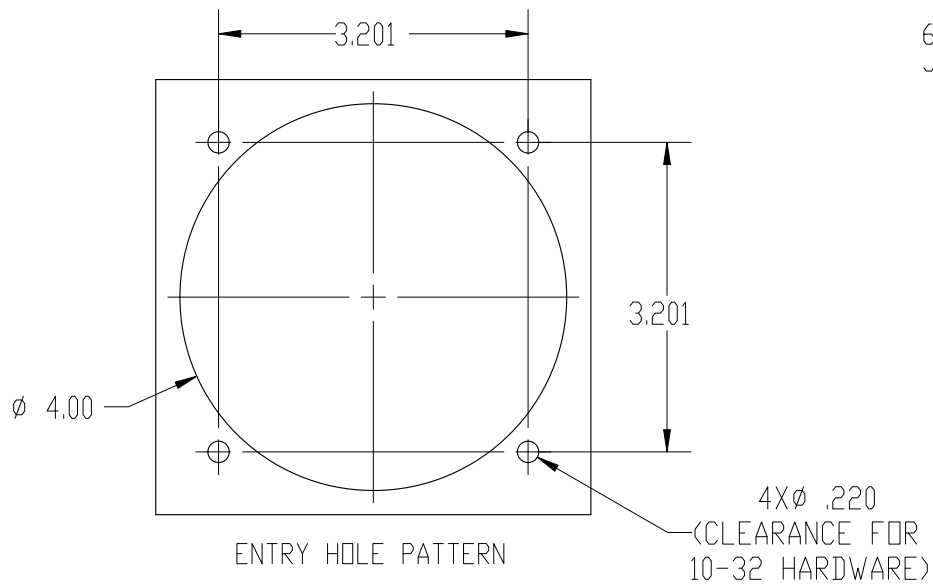


This drawing is the property of MELTRIC Corporation, Franklin (Milwaukee), Wisconsin, USA. Any unauthorized copying of this drawing by any means, or disclosure of its contents to any person not authorized by MELTRIC Corporation or its agents to receive it, is strictly prohibited.

ENG/RD/06 REV: 20 ISSUED DATE: 11/15/11



600VDC DEVICES WILL HAVE JUMPERS & EXTRA CONTACTS.



4XØ .220
(CLEARANCE FOR 10-32 HARDWARE)

ENTRY HOLE PATTERN

TOLERANCES UNLESS OTHERWISE SPECIFIED		MELTRIC A COMPANY OF MARÉCHAL ELECTRIC	
MACHINED SURFACES	125/32 MAX	DRAWN	APPROVED
GROUND SURFACES	32/32 MAX	DATE:	DRAWING TITLE:
ANGLE TOLERANCE	± 1°		DSDC9 METAL INLET, ALL VOLTAGES/AMPERAGES
REMOVE BURRS & SHARP EDGES TO .015 MAX.		SCALE	MATERIAL:
		NTS	METAL CASING
		SHEET:	PART NUMBER
		1 OF 1	37-98x09
			REVISION