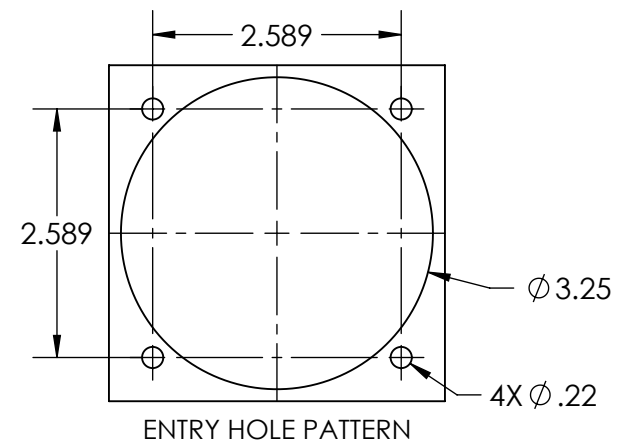
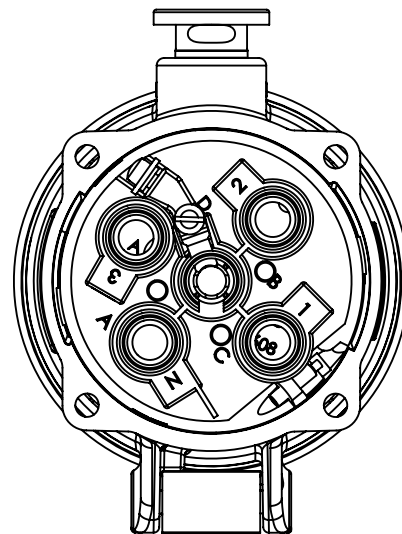
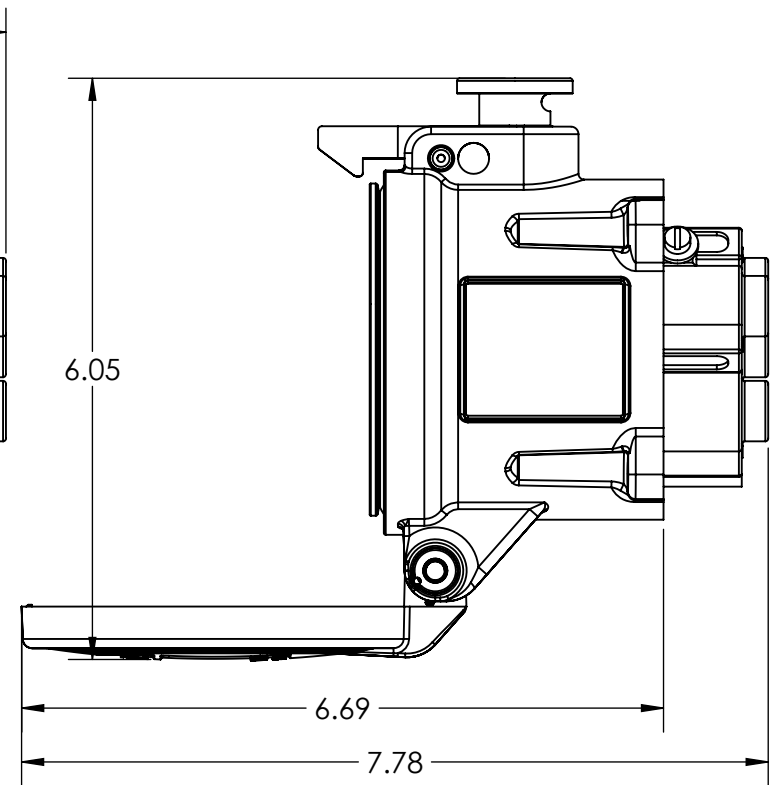
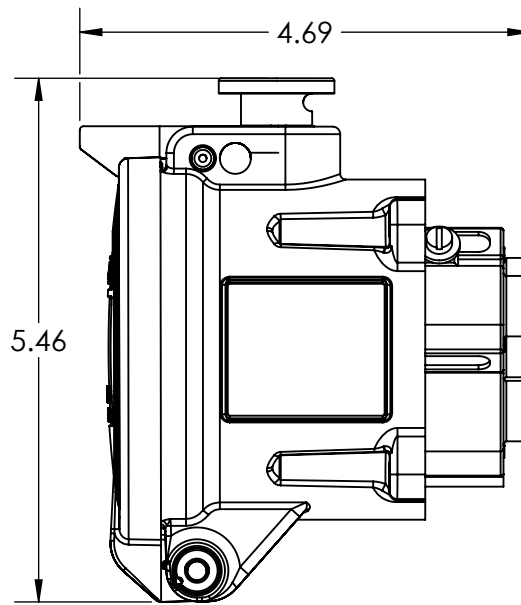
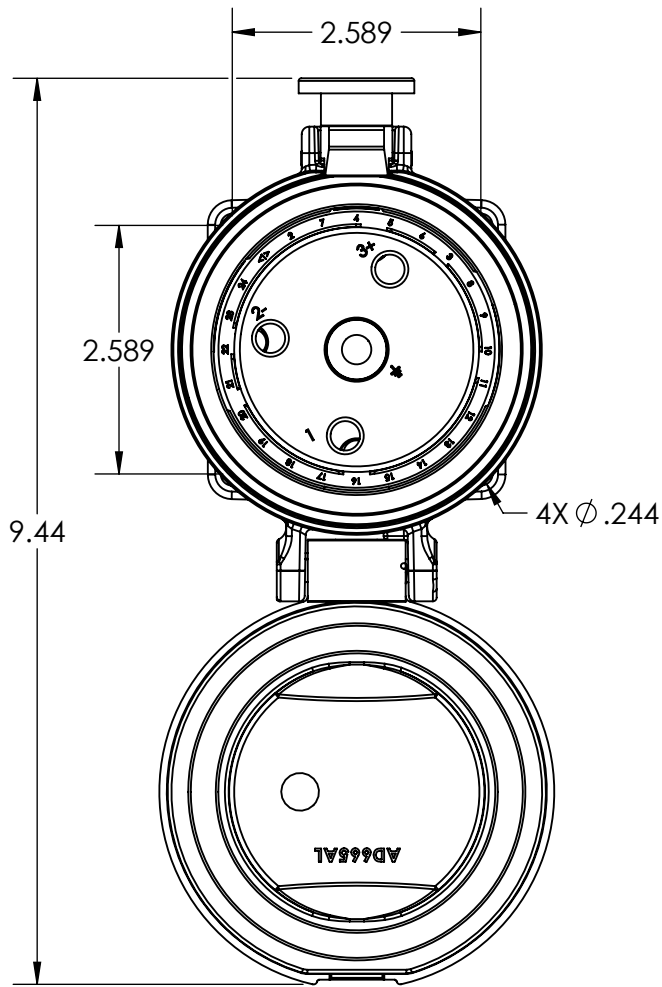
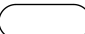



This drawing is the property of MELTRIC Corporation, Franklin (Milwaukee) Wisconsin, USA. Any unauthorized copying of this drawing by any means, ENG/RD/06 REV: 21 ISSUED DATE: 10/7/16 or disclosure of its contents to any person not authorized by MELTRIC Corporation or its agents to receive it, is strictly prohibited.



HAZARDOUS RATINGS:
Class 1, Division 2, Groups ABCD, T6
Class 1, Zone 2, 11C

TOLERANCES UNLESS OTHERWISE SPECIFIED		ENGLISH
MACHINED SURFACES	$\sqrt[125]{\text{MAX}}$	
GROUND SURFACES	$\sqrt[32]{\text{MAX}}$	
ANGLE TOLERANCE	$\pm 1^\circ$	
REMOVE BURRS & SHARP EDGES TO	.015 MAX.	
 DIMENSIONS SHOWN IN OVALS ARE INSPECTION DIMENSIONS.		0.X ±0.05 0.XX ±0.01 0.XXX ±0.005

		DRAWING TITLE:	
A COMPANY OF MARÉCHAL ÉLECTRIC		DS100c METAL HAZARDOUS LOCATION RECEPTACLE	
DRAWN	APPROVED	SCALE	MATERIAL:
DATE:		NTS	BLACK METAL CASING
SHEET:	PART NUMBER	REVISION	
1 OF 1	36-64xxx-C-Kxx-xxx-HAZ		