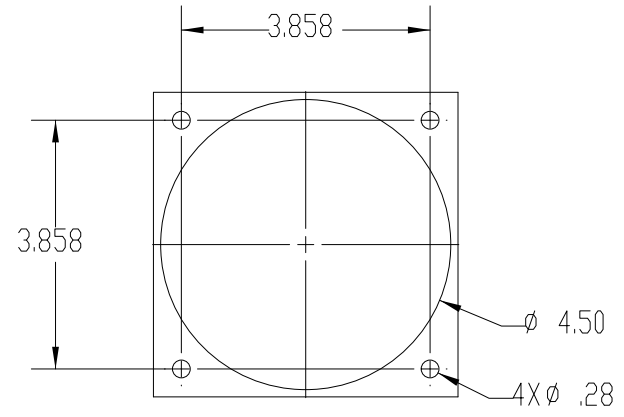
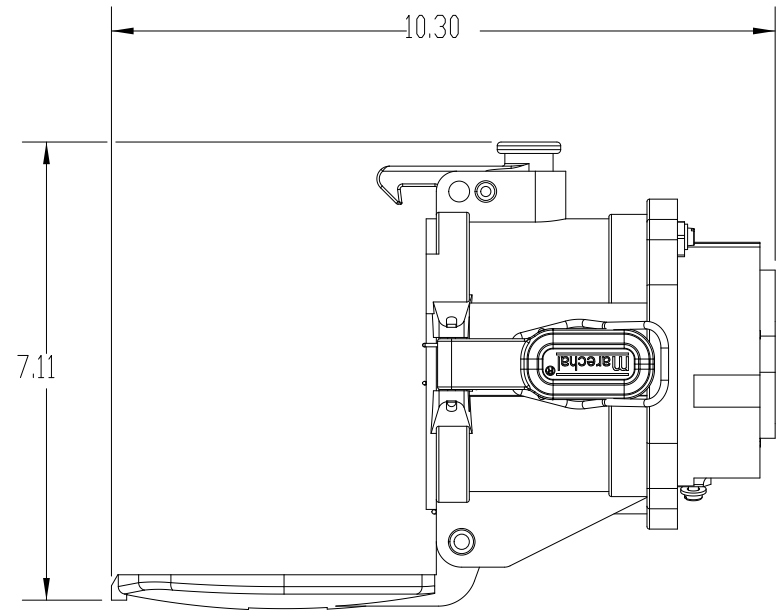
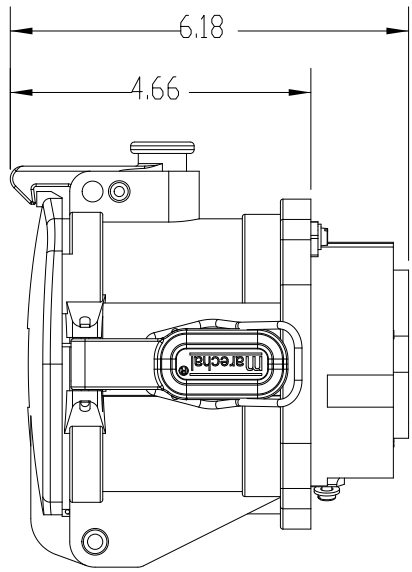
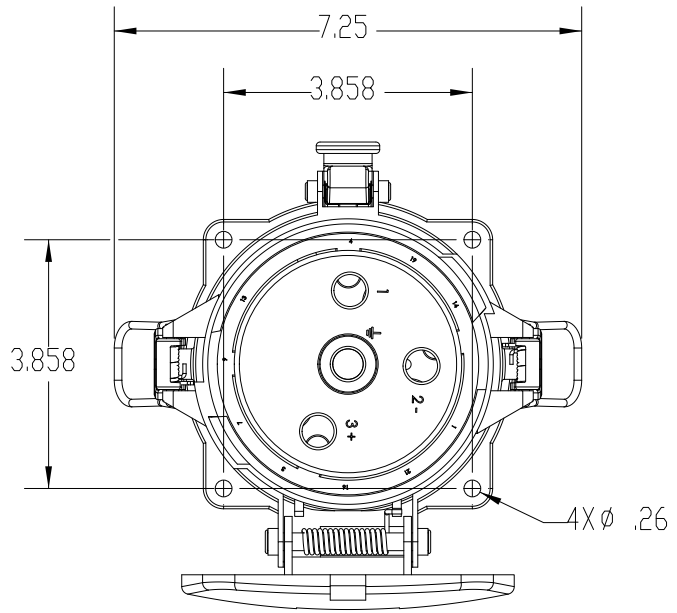
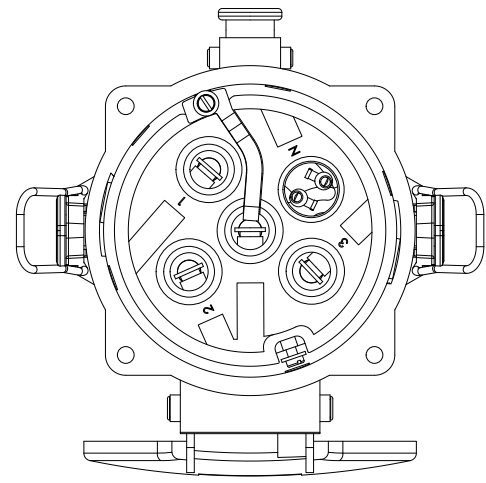


This drawing is the property of MELTRIC Corporation, Franklin (Milwaukee), Wisconsin, USA. Any unauthorized copying of this drawing by any means, or disclosure of its contents to any person not authorized by MELTRIC Corporation or its agents to receive it, is strictly prohibited.



ENTRY HOLE PATTERN



HAZARDOUS RATINGS:  
 CII Div2, Gr ABCD, T6  
 CII Zone 2, IIC

TOLERANCES UNLESS OTHERWISE SPECIFIED		 A COMPANY OF MARECHAL ELECTRIC		DRAWING TITLE:	
MACHINED SURFACES	125 $\sqrt{\text{MAX}}$			ENGLISH	DATE:
GROUND SURFACES	32 $\sqrt{\text{MAX}}$	0.X $\pm 0.05$	SCALE	MATERIAL:	BLACK METAL CASING
ANGLE TOLERANCE	$\pm 1^\circ$	0.XX $\pm 0.01$	NTS	PART NUMBER	36-24xxx-Kxx-xxx-HAZ
REMOVE BURRS & SHARP EDGES TO .015 MAX.		0.XXX $\pm 0.005$		REVISION	
DIMENSIONS SHOWN IN OVALS ARE INSPECTION DIMENSIONS.		SHEET: 1 OF 1			