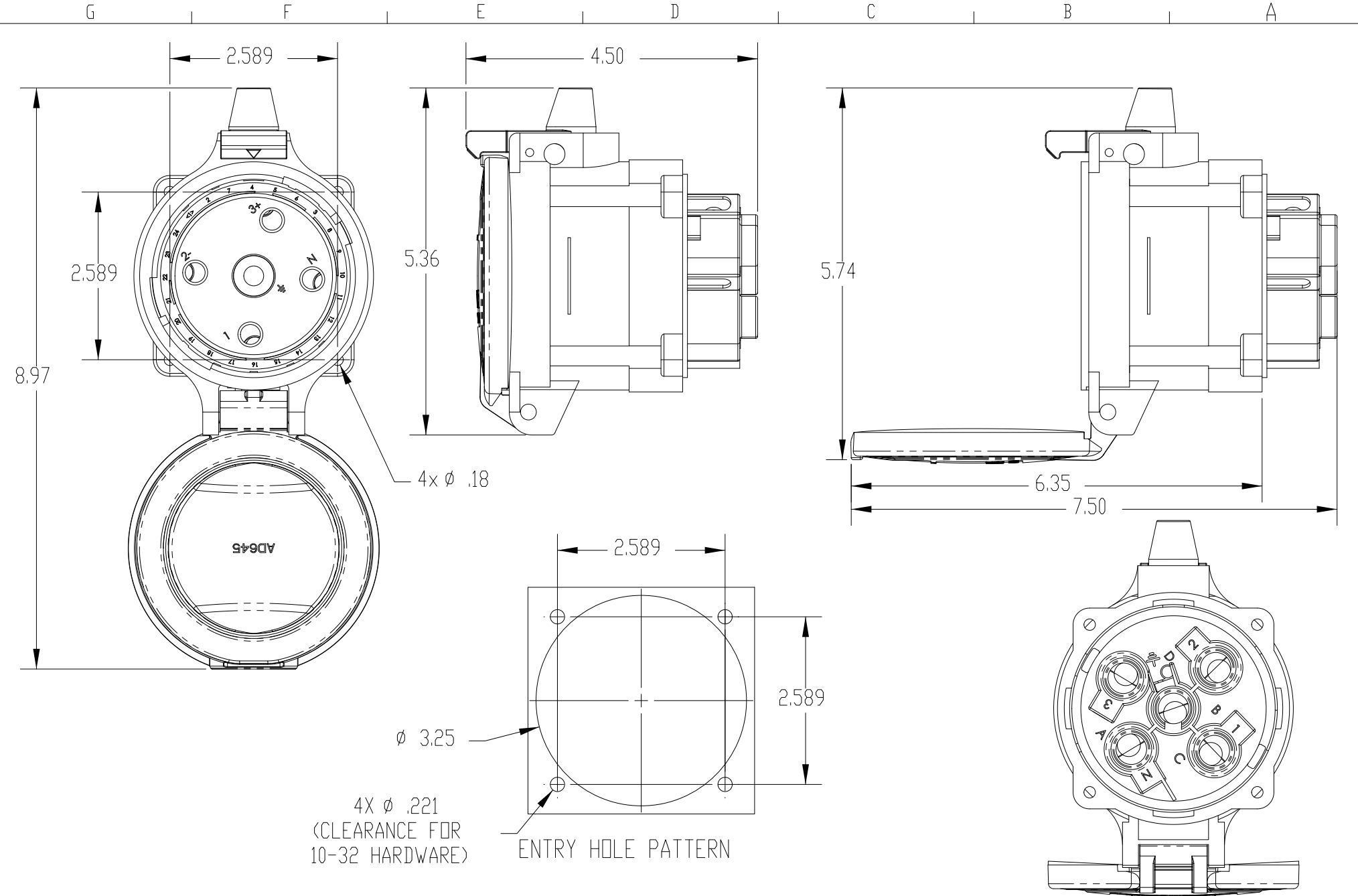



This drawing is the property of MELTRIC Corporation, Franklin (Milwaukee) Wisconsin, USA. Any unauthorized copying of this drawing by any means, or disclosure of its contents to any person not authorized by MELTRIC Corporation or its agents to receive it, is strictly prohibited.



HAZARDOUS RATINGS:  
 CII Div2, Gr ABCD, T6  
 CII Zone 2, IIC

TOLERANCES UNLESS OTHERWISE SPECIFIED		MELTRIC	
MACHINED SURFACES	$\sqrt{125}$ MAX	A COMPANY OF MARECHAL ELECTRIC	
GROUND SURFACES	$\sqrt{32}$ MAX	DRAWN	APPROVED
ANGLE TOLERANCE	$\pm 1^\circ$	DRAWING TITLE: DS100c POLY HAZARDOUS LOCATION RECEPTACLE	
REMOVE BURRS & SHARP EDGES TO .015 MAX.		DATE:	SCALE: NTS
 DIMENSIONS SHOWN IN OVALS ARE INSPECTION DIMENSIONS.	ENGLISH	MATERIAL: BLACK POLY CASING	
	0.X $\pm 0.05$ 0.XX $\pm 0.01$ 0.XXX $\pm 0.005$	SHEET: 1 OF 1	PART NUMBER 35-64xxx-C-Kxx-xxx-HAZ
			REVISION