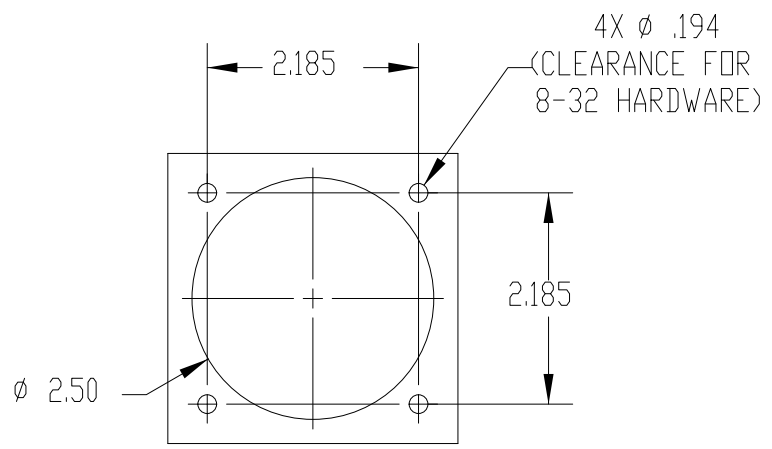
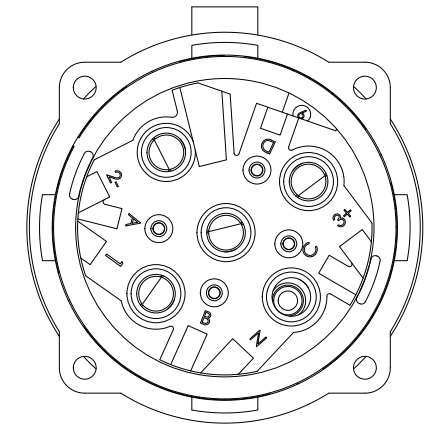
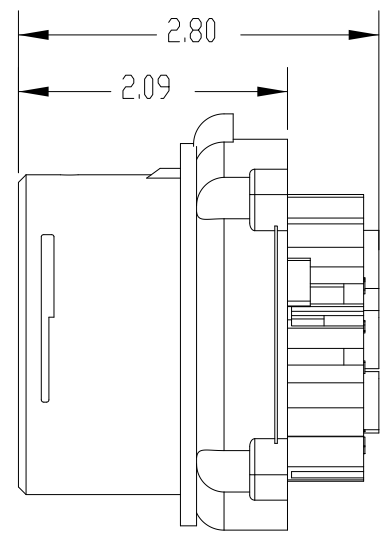
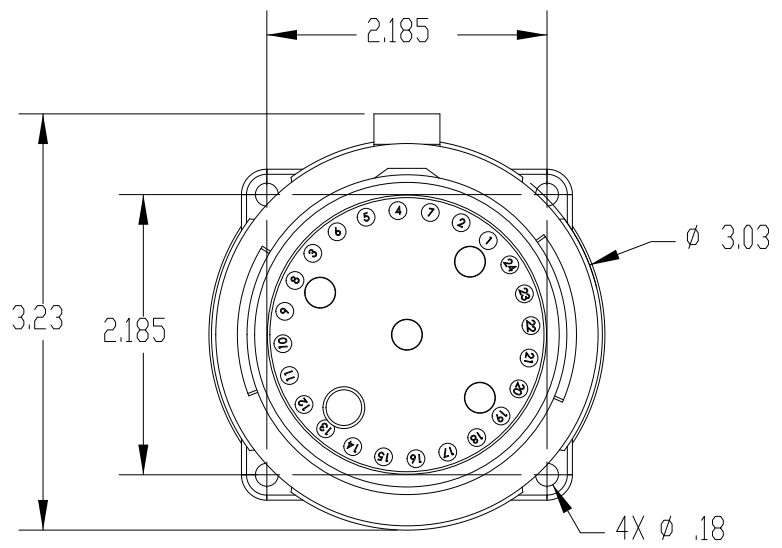
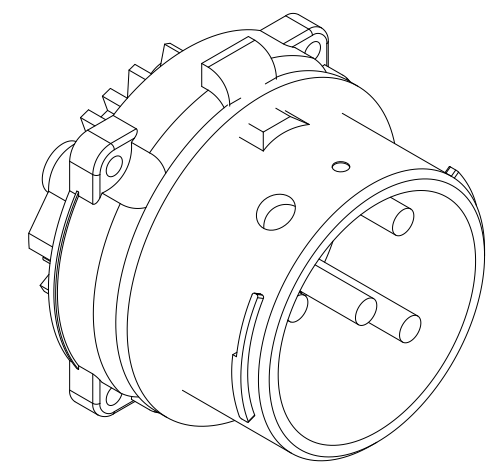


This drawing is the property of MELTRIC Corporation, Franklin (Milwaukee) Wisconsin, USA. Any unauthorized copying of this drawing by any means, or disclosure of its contents to any person not authorized by MELTRIC Corporation or its agents to receive it, is strictly prohibited.



ENTRY HOLE PATTERN

HAZARDOUS RATINGS:
 CI Div2, Gr ABCD, T6
 CI Zone 2, IIC



TOLERANCES UNLESS OTHERWISE SPECIFIED		 A COMPANY OF MARÉCHAL ÉLECTRIC		DRAWING TITLE:	
MACHINED SURFACES	125 $\sqrt{\text{MAX}}$			ENGLISH	DR50 HAZARDOUS LOCATION INLET
GROUND SURFACES	32 $\sqrt{\text{MAX}}$	0.X ± 0.05	SCALE	NTS	MATERIAL:
ANGLE TOLERANCE	$\pm 1^\circ$	0.XX ± 0.01	BLACK POLY CASING		REVISION
REMOVE BURRS & SHARP EDGES TO .015 MAX.		0.XXX ± 0.005	PART NUMBER		
DIMENSIONS SHOWN IN OVALS ARE INSPECTION DIMENSIONS.		SHEET:		1 OF 1	35-38xxx-Kxx-xxx-HAZ