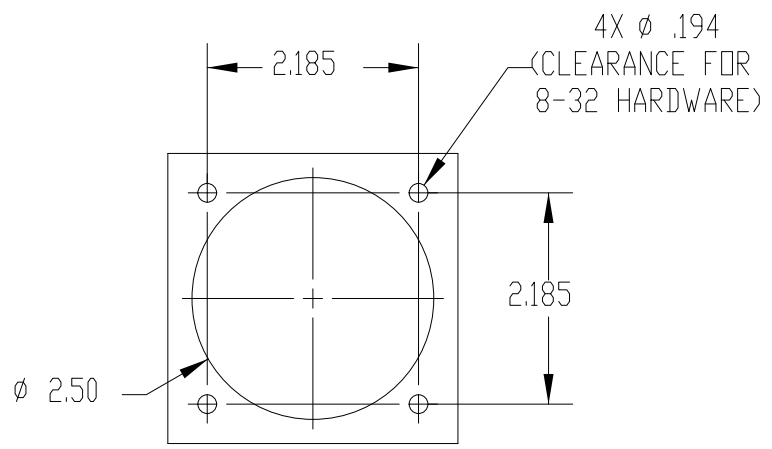
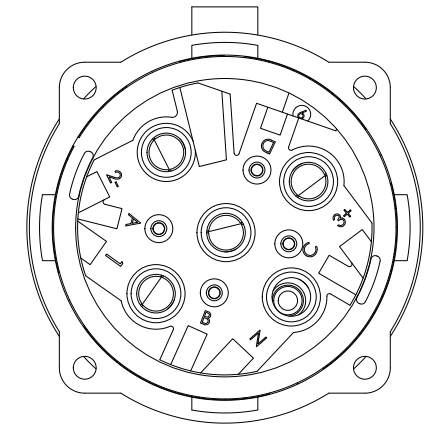
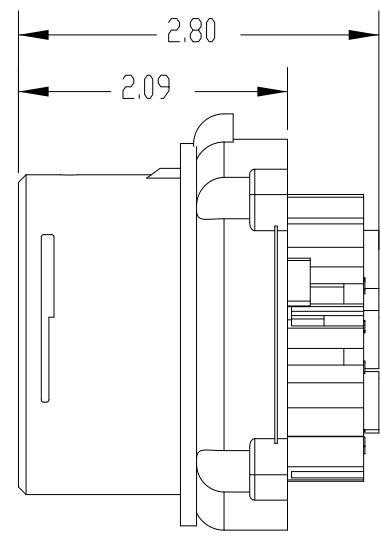
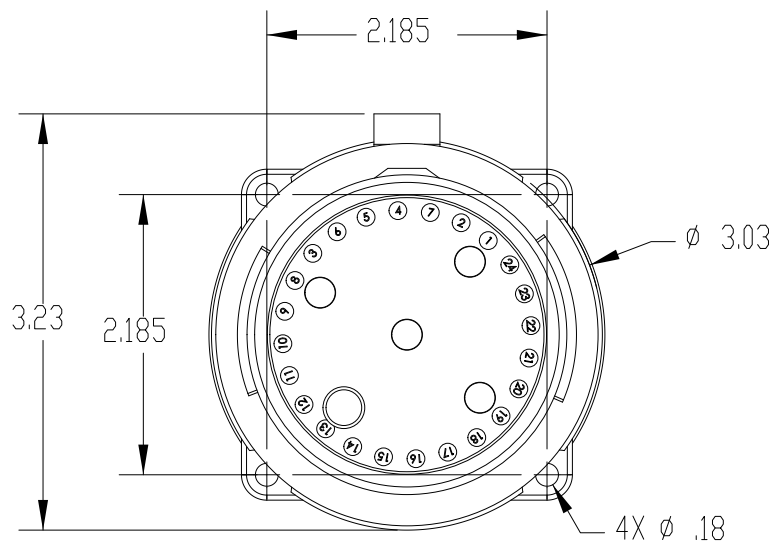
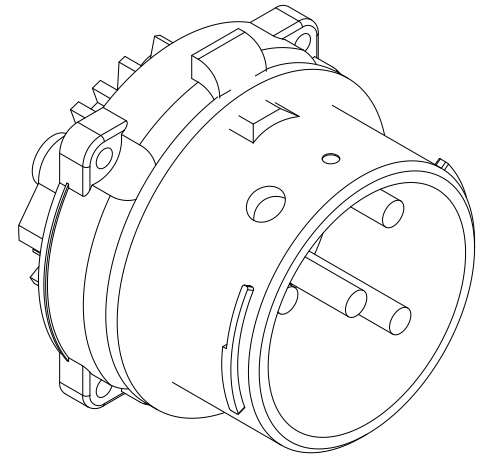


This drawing is the property of MELTRIC Corporation, Franklin (Milwaukee) Wisconsin, USA. Any unauthorized copying of this drawing by any means, or disclosure of its contents to any person not authorized by MELTRIC Corporation or its agents to receive it, is strictly prohibited.



ENTRY HOLE PATTERN



CERTIFICATIONS:
 CSA C22.2 No. 182.1-07
 CSA C22.2 No. 213-M1987

TOLERANCES UNLESS OTHERWISE SPECIFIED		 A COMPANY OF MARÉCHAL ÉLECTRIC	
MACHINED SURFACES	125 $\sqrt{\text{MAX}}$		
GROUND SURFACES	32 $\sqrt{\text{MAX}}$	DRAWN	APPROVED
ANGLE TOLERANCE	$\pm 1^\circ$	DATE:	DRAWING TITLE: DSDC3 HAZARDOUS LOCATION INLET, 250V, 30A
REMOVE BURRS & SHARP EDGES TO .015 MAX.		SCALE NTS	MATERIAL: BLACK POLY CASING
DIMENSIONS SHOWN IN OVALS ARE INSPECTION DIMENSIONS.		SHEET: 1 OF 1	PART NUMBER 35-38209-xxx-HAZ
			REVISION