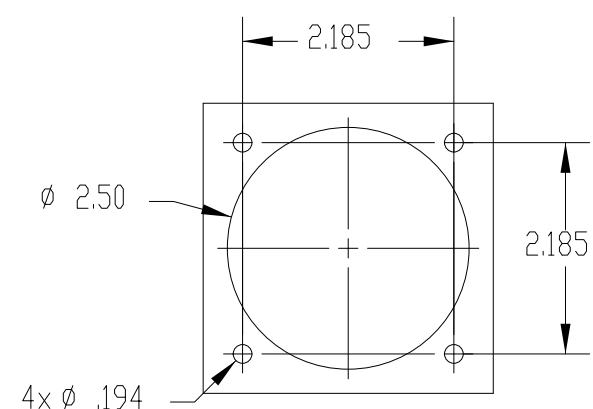
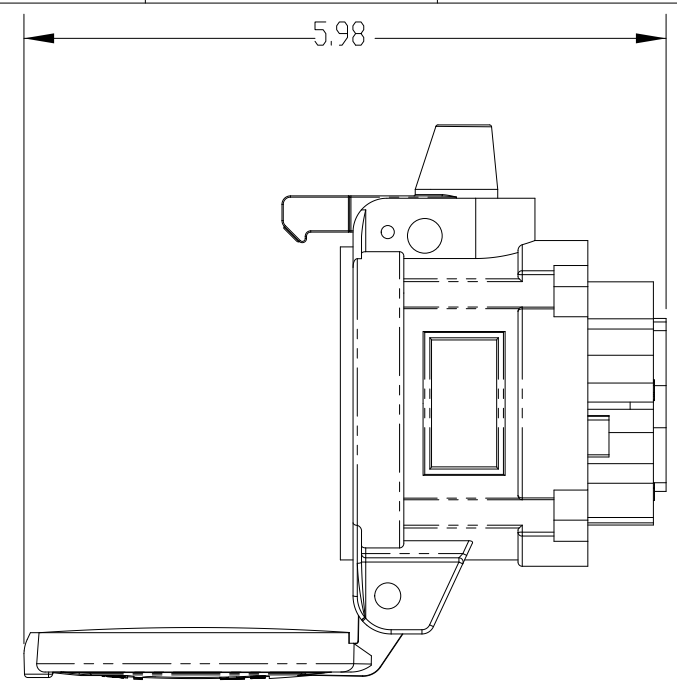
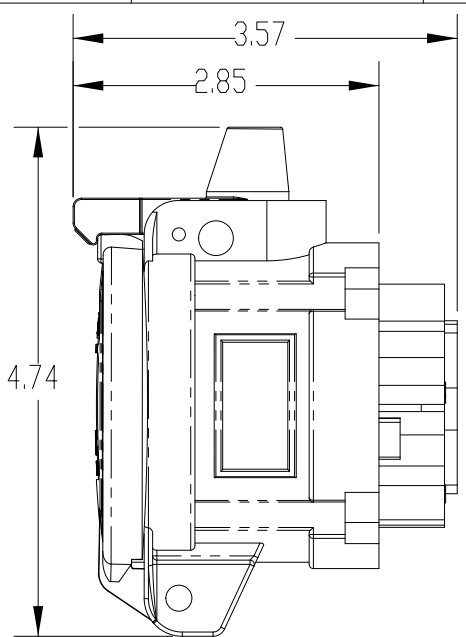
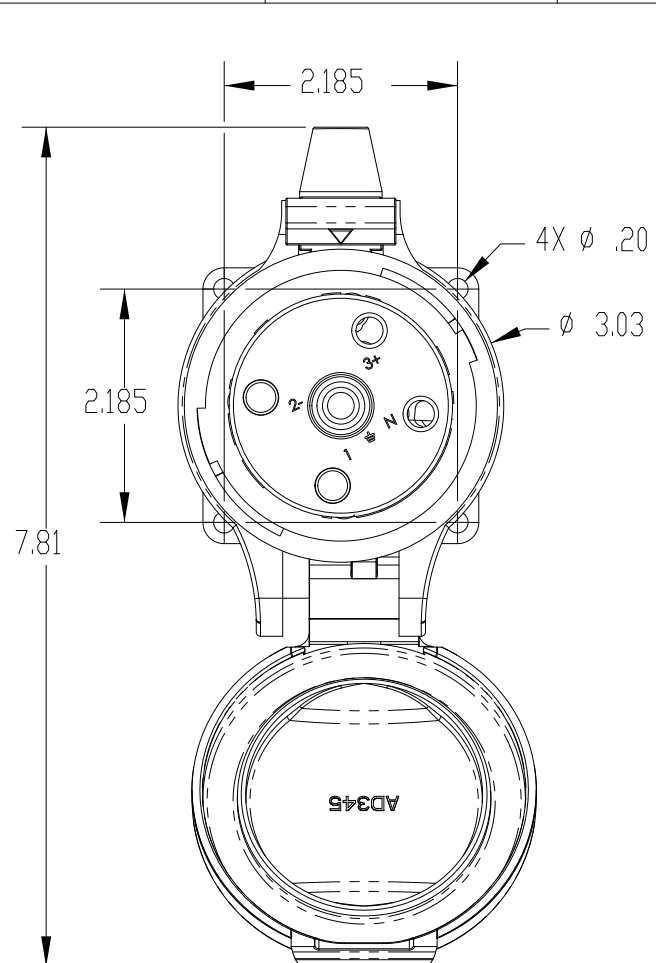
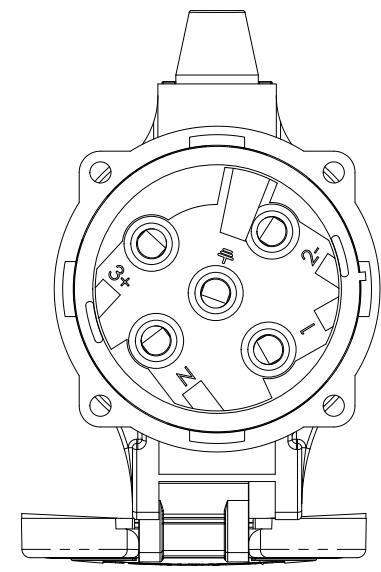


This drawing is the property of MELTRIC Corporation, Franklin (Milwaukee) Wisconsin, USA. Any unauthorized copying of this drawing by any means, or disclosure of its contents to any person not authorized by MELTRIC Corporation or its agents to receive it, is strictly prohibited.



ENTRY HOLE PATTERN



HAZARDOUS RATINGS:
 CII Div2, Gr ABCD, T6
 CII Zone 2, IIC

TOLERANCES UNLESS OTHERWISE SPECIFIED		 A COMPANY OF MARÉCHAL ÉLECTRIQUE	
MACHINED SURFACES	125 $\sqrt{\text{MAX}}$		
GROUND SURFACES	32 $\sqrt{\text{MAX}}$	DRAWING TITLE: DR50 HAZARDOUS LOCATION RECEPTACLE	
ANGLE TOLERANCE	$\pm 1^\circ$	DATE:	SCALE NTS
REMOVE BURRS & SHARP EDGES TO .015 MAX.		MATERIAL: BLACK POLY CASE	
DIMENSIONS SHOWN IN OVALS ARE INSPECTION DIMENSIONS.	ENGLISH	SHEET: 1 OF 1	PART NUMBER 35-34xxx-Kxx-xxx-HAZ
	0.X ± 0.05 0.XX ± 0.01 0.XXX ± 0.005	REVISION	