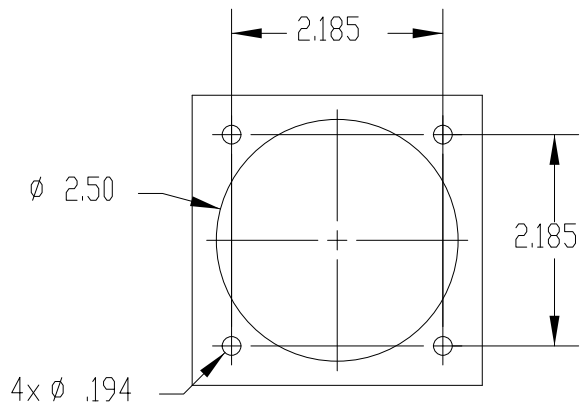
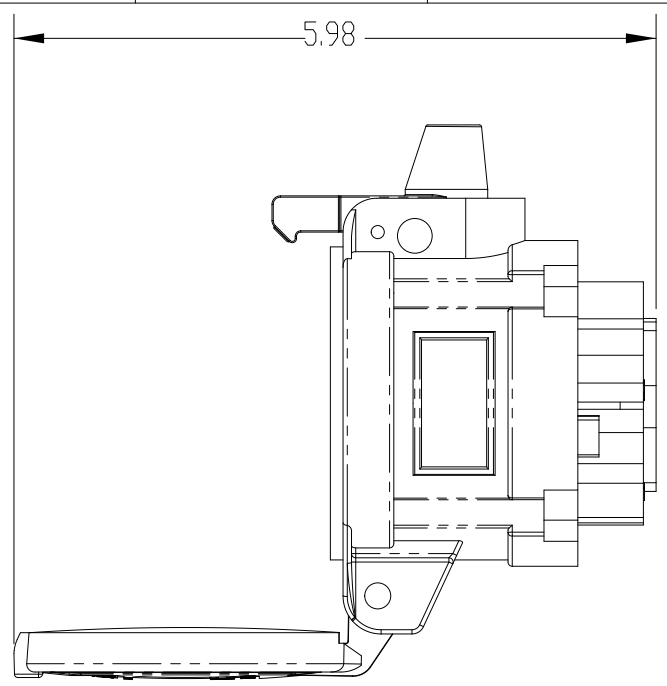
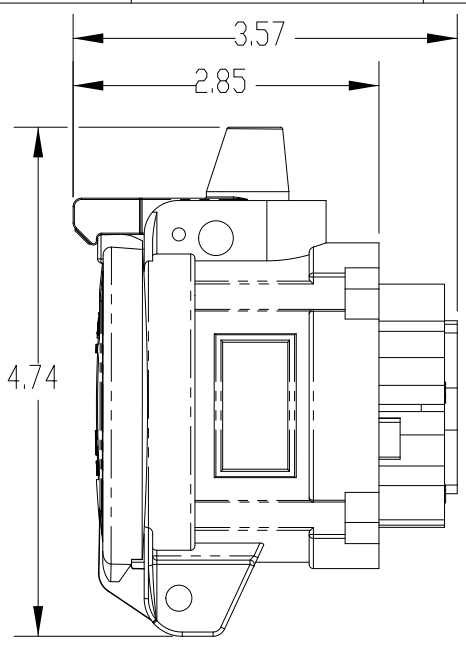
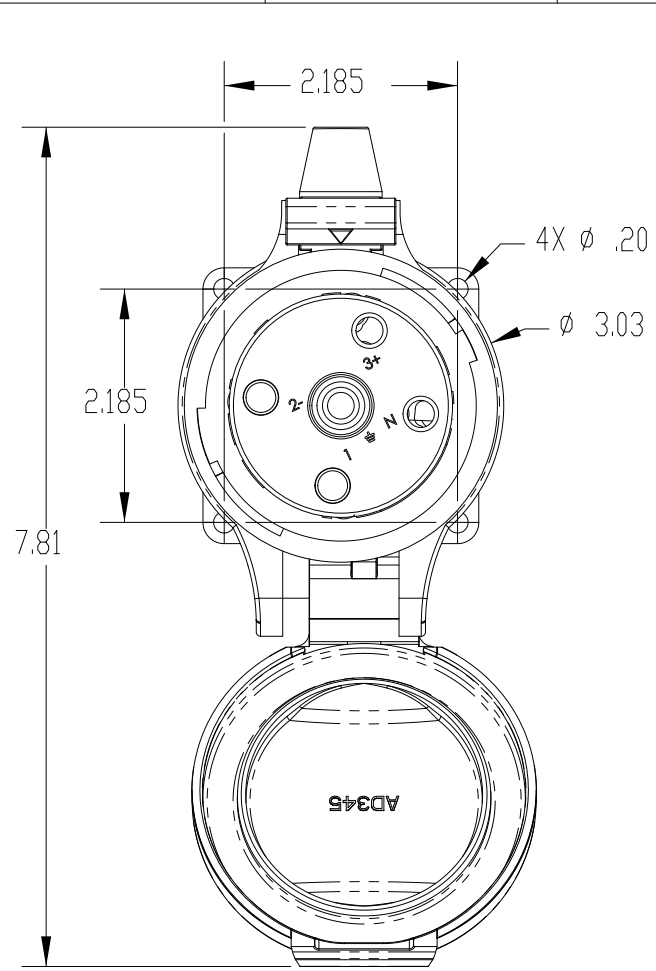
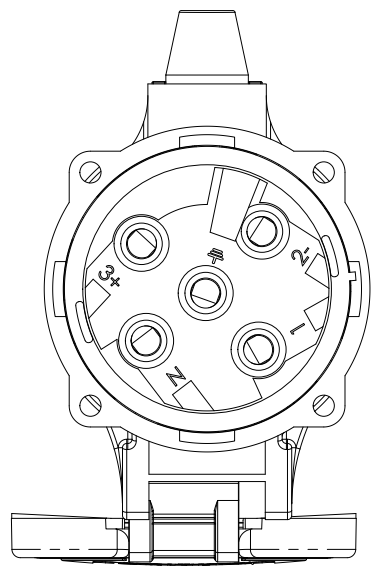


This drawing is the property of MELTRIC Corporation, Franklin (Milwaukee) Wisconsin, USA. Any unauthorized copying of this drawing by any means, or disclosure of its contents to any person not authorized by MELTRIC Corporation or its agents to receive it, is strictly prohibited.



ENTRY HOLE PATTERN



CERTIFICATIONS:
 CSA C22.2 No. 182.1-07
 CSA C22.2 No. 213-M1987

TOLERANCES UNLESS OTHERWISE SPECIFIED		 A COMPANY OF MARÉCHAL ÉLECTRIQUE	
MACHINED SURFACES	125 $\sqrt{\text{MAX}}$		
GROUND SURFACES	32 $\sqrt{\text{MAX}}$	DRAWING TITLE:	
ANGLE TOLERANCE	$\pm 1^\circ$	DATE:	DSDC3 HAZARDOUS LOCATION RECEPTACLE, 250V, 30A
REMOVE BURRS & SHARP EDGES TO .015 MAX.		SCALE:	NTS
DIMENSIONS SHOWN IN OVALS ARE INSPECTION DIMENSIONS.	ENGLISH	MATERIAL:	
	0.X ± 0.05 0.XX ± 0.01 0.XXX ± 0.005	SHEET:	35-34209-xxx-HAZ
		1 OF 1	REVISION