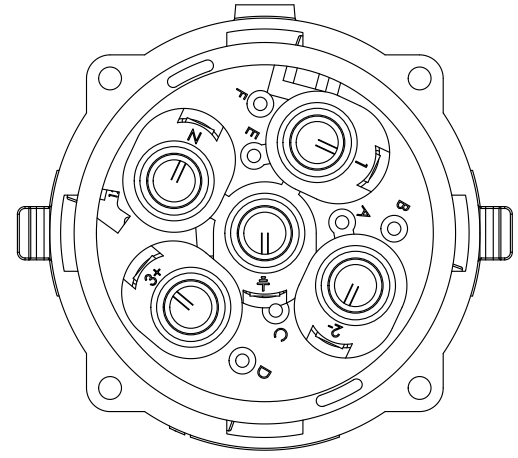
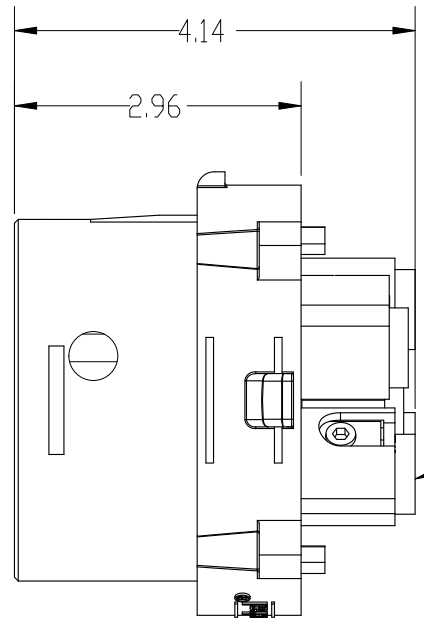
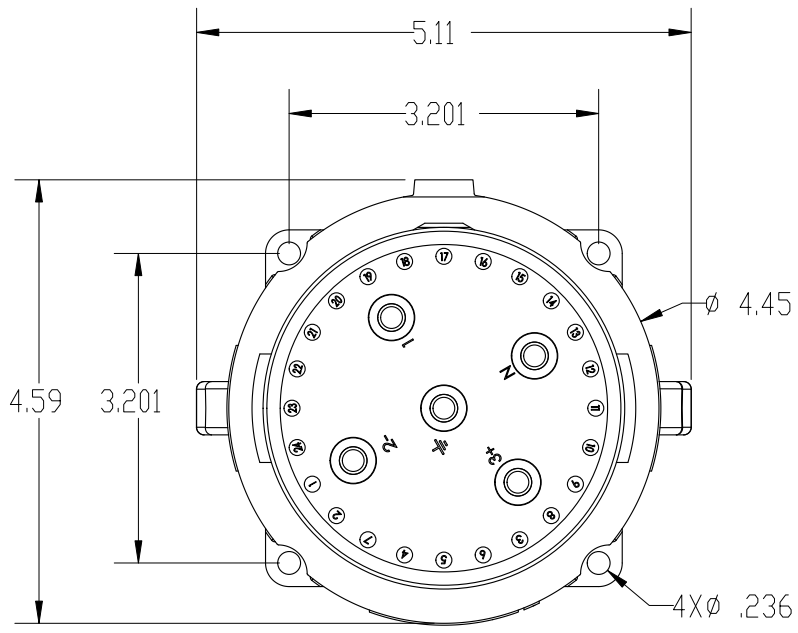
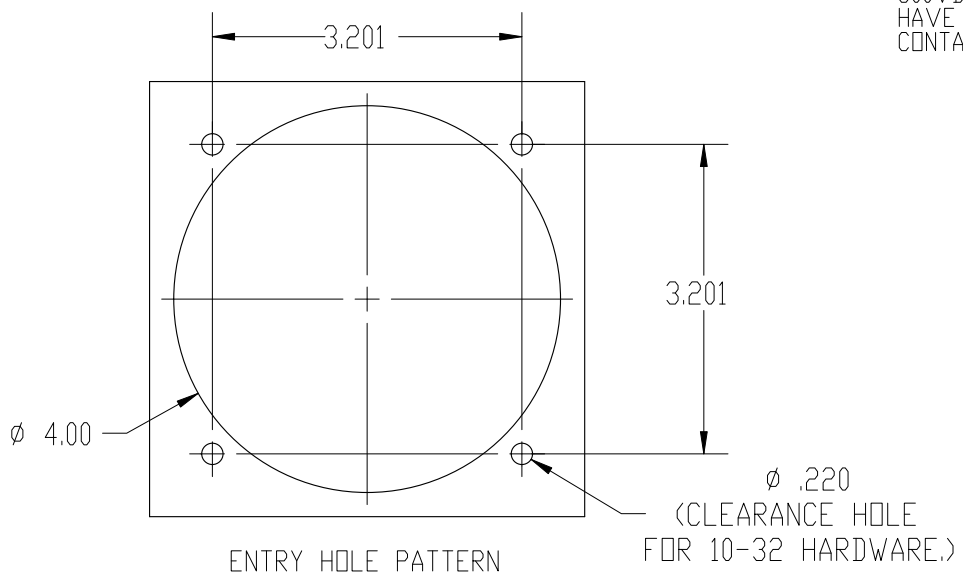


This drawing is the property of MELTRIC Corporation, Franklin (Milwaukee), Wisconsin, USA. Any unauthorized copying of this drawing by any means, or disclosure of its contents to any person not authorized by MELTRIC Corporation or its agents to receive it, is strictly prohibited.

ENG/RD/06 REV: 20 ISSUED DATE: 11/15/11



600VDC DEVICES WILL HAVE JUMPERS & EXTRA CONTACTS.



TOLERANCES UNLESS OTHERWISE SPECIFIED	
MACHINED SURFACES	125/ MAX
GROUND SURFACES	32/ MAX
ANGLE TOLERANCE	± 1°
REMOVE BURRS & SHARP EDGES TO .015 MAX.	
DIMENSIONS SHOWN IN OVALS ARE INSPECTION DIMENSIONS.	
ENGLISH	
0.X ±0.05	
0.XX ±0.01	
0.XXX ±0.005	

MELTRIC		DRAWING TITLE:	
A COMPANY OF MARÉCHAL ELECTRIC		DSDC9 POLY INLET, ALL VOLTAGES/AMPERAGES	
DRAWN	APPROVED	SCALE	MATERIAL:
DATE:		NTS	BLUE POLY CASING
SHEET:	PART NUMBER	REVISION	
1 OF 1	33-98xxx(-xxx)		