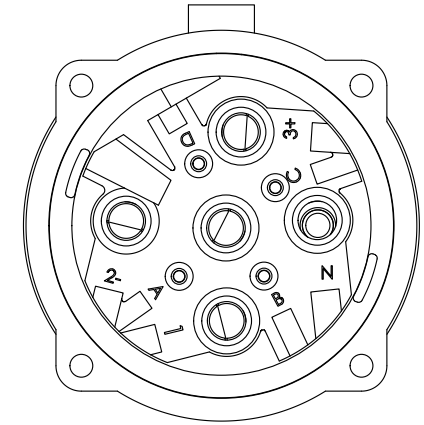
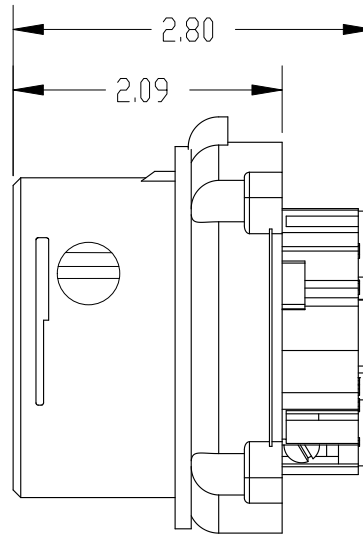
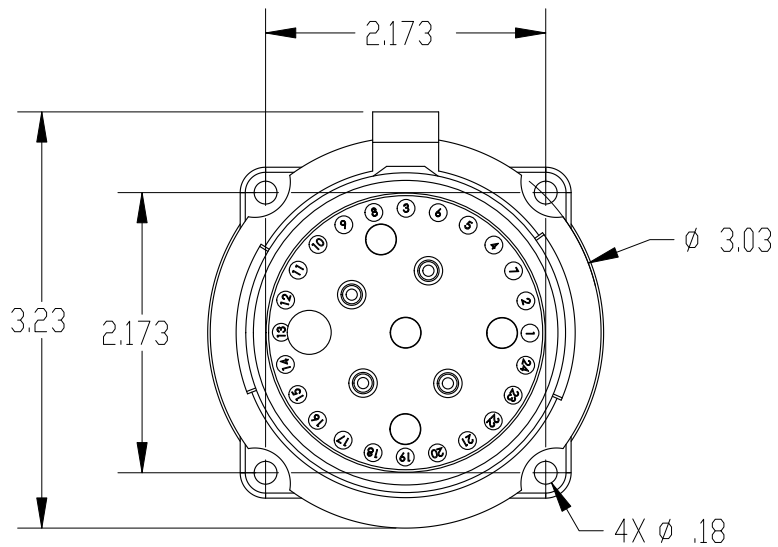
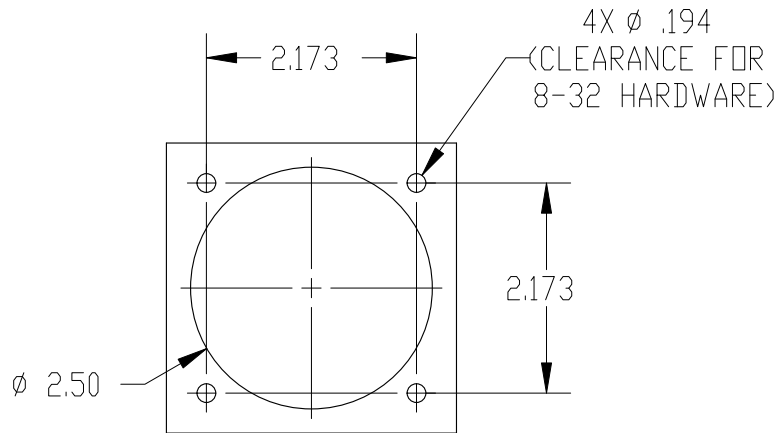


This drawing is the property of MELTRIC Corporation, Franklin (Milwaukee) Wisconsin, USA. Any unauthorized copying of this drawing by any means, or disclosure of its contents to any person not authorized by MELTRIC Corporation or its agents to receive it, is strictly prohibited.



600 AND 750VDC
 DEVICES WILL HAVE
 JUMPERS & EXTRA
 CONTACTS.



ENTRY HOLE PATTERN

TOLERANCES UNLESS OTHERWISE SPECIFIED		 A COMPANY OF MARÉCHAL ELECTRIC					
MACHINED SURFACES	125/ MAX			ENGLISH			
GROUND SURFACES	32/ MAX	0.X ±0.05	DRAWN	APPROVED	DRAWING TITLE:		
ANGLE TOLERANCE	±1°	0.XX ±0.01	DATE:		DSDC3 POLY INLET, ALL VOLTAGES/AMPERAGES		
REMOVE BURRS & SHARP EDGES TO .015 MAX.		0.XXX ±0.005			SCALE	MATERIAL:	
					NTS	BLUE POLY CASING	
			SHEET:			PART NUMBER	REVISION
			1 OF 1			33-38xxx(-xxx)	