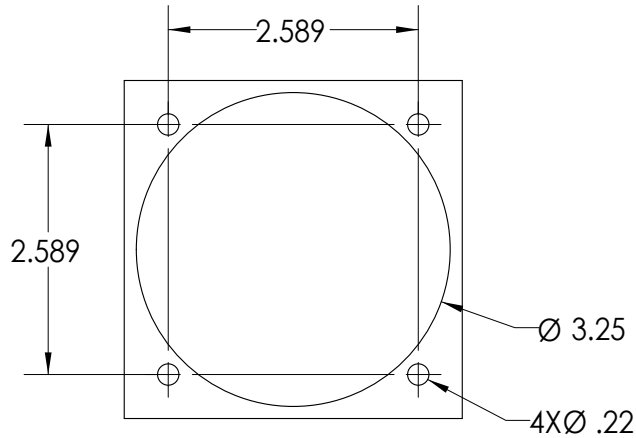
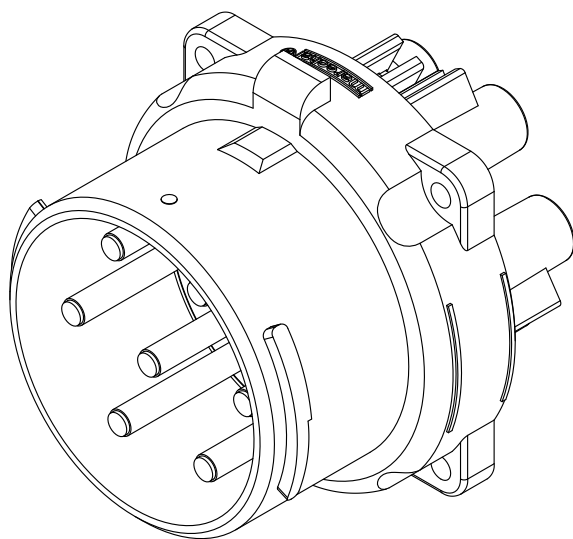
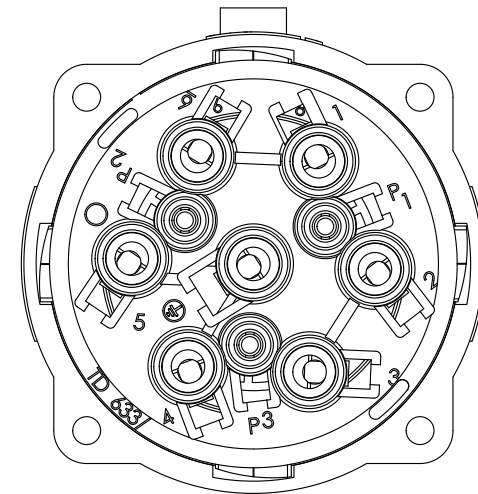
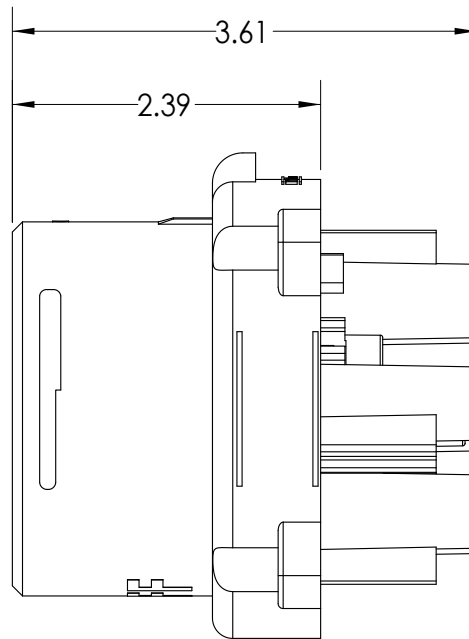
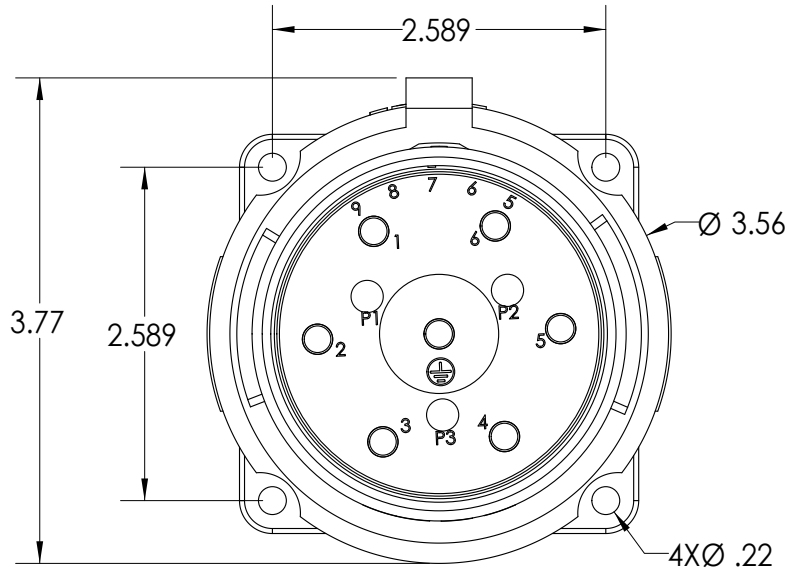



This drawing is the property of MELTRIC Corporation, Franklin (Milwaukee), Wisconsin, USA. Any unauthorized copying of this drawing by any means, or disclosure of its contents to any person not authorized by MELTRIC Corporation or its agents to receive it, is strictly prohibited.



ENTRY HOLE PATTERN

TOLERANCES UNLESS OTHERWISE SPECIFIED		MELTRIC		DRAWING TITLE:	
MACHINED SURFACES $\sqrt[125]{\text{MAX}}$	ENGLISH	DRAWN	APPROVED	DR7c INLET	
GROUND SURFACES $\sqrt[32]{\text{MAX}}$		DATE:	SCALE	MATERIAL:	
ANGLE TOLERANCE $\pm 1^\circ$	$0.X \pm 0.05$ $0.XX \pm 0.01$ $0.XXX \pm 0.005$	SHEET:		PART NUMBER	
REMOVE BURRS & SHARP EDGES TO .015 MAX.		1 OF 1		31-389xx	
 DIMENSIONS SHOWN IN OVALS ARE INSPECTION DIMENSIONS.				REVISION	