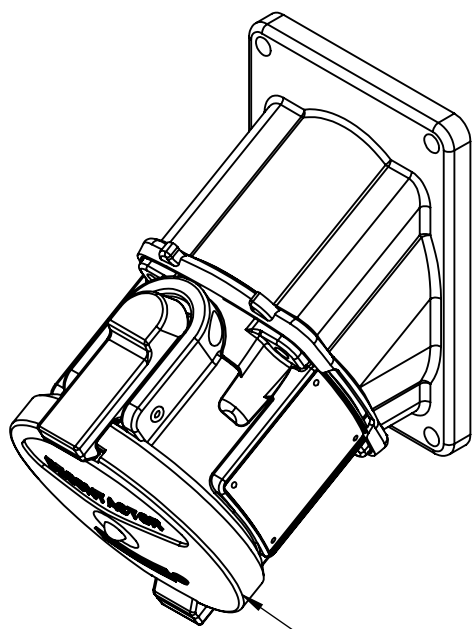
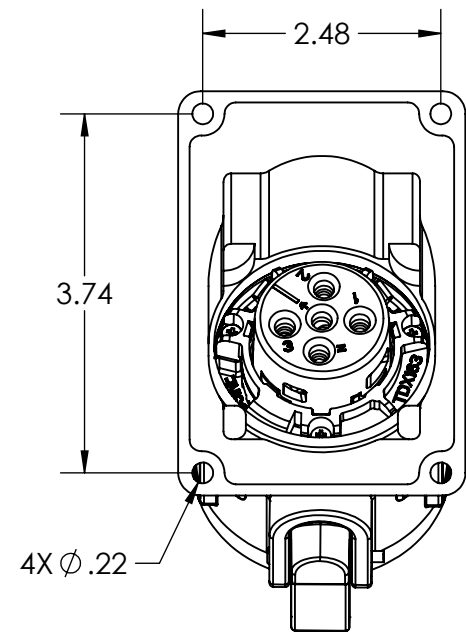
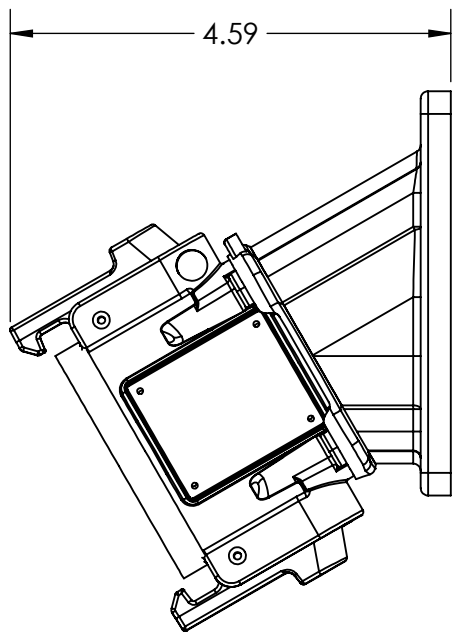
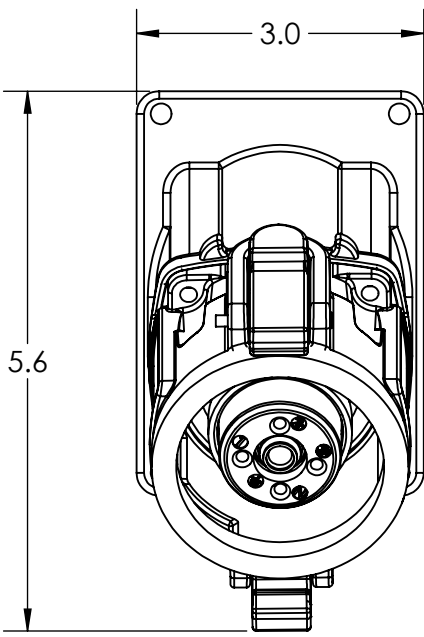
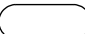



This drawing is the property of MELTRIC Corporation, Franklin (Milwaukee) Wisconsin, USA. Any unauthorized copying of this drawing by any means, ENGR/D/06 REV: 21 ISSUED DATE: 10/7/16 or disclosure of its contents to any person not authorized by MELTRIC Corporation or its agents to receive it, is strictly prohibited.



(TEATHERED CAP INCLUDED)

TOLERANCES UNLESS OTHERWISE SPECIFIED	
MACHINED SURFACES $\sqrt[125]{\text{MAX}}$	ENGLISH $0.X \pm 0.05$ $0.XX \pm 0.01$ $0.XXX \pm 0.005$
GROUND SURFACES $\sqrt[32]{\text{MAX}}$	
ANGLE TOLERANCE $\pm 1^\circ$	
REMOVE BURRS & SHARP EDGES TO .015 MAX.	
 DIMENSIONS SHOWN IN OVALS ARE INSPECTION DIMENSIONS.	

		DRAWING TITLE:	
A COMPANY OF MARECHAL ELECTRIC		DXA1 RECEPTACLE ON 30° ANGLE	
DRAWN	APPROVED	SCALE	MATERIAL:
DATE:		NTS	METAL, BLACK
SHEET:	PART NUMBER		REVISION
1 OF 1	28-A7xxx		