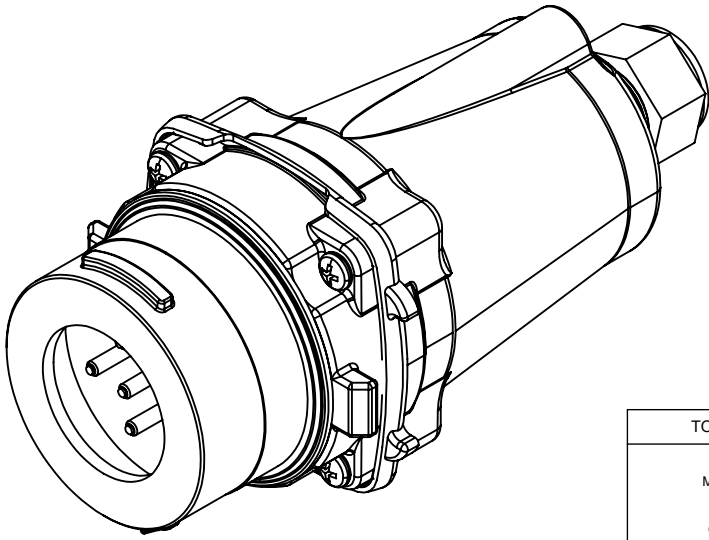
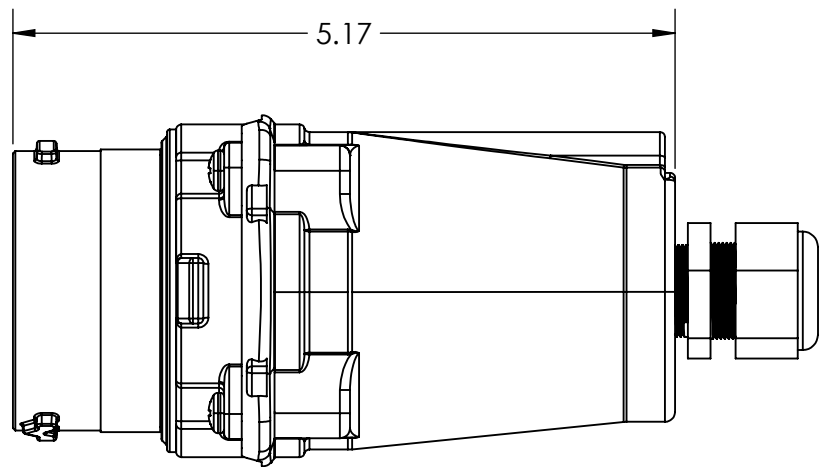
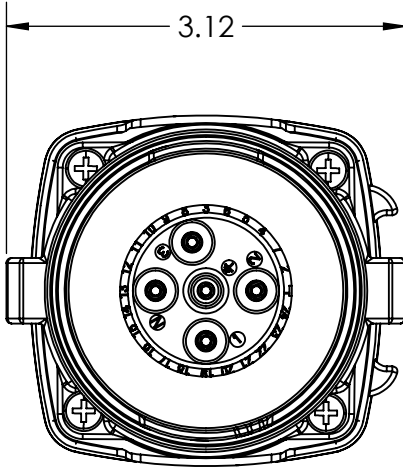


This drawing is the property of MELTRIC Corporation, Franklin (Milwaukee) Wisconsin, USA. Any unauthorized copying of this drawing by any means, ENG/RD/06 REV: 21 ISSUED DATE: 10/7/16 or disclosure of its contents to any person not authorized by MELTRIC Corporation or its agents to receive it, is strictly prohibited.

G F E D C B A



**NOTE:**  
**PLUG COMES STANDARD WITH 1/2" NPT,**  
**ADD SUFFIX -34 TO PT# FOR 3/4" NPT.**

TOLERANCES UNLESS OTHERWISE SPECIFIED		 <b>MELTRIC</b> A COMPANY OF MARÉCHAL ÉLECTRIC		DRAWING TITLE:	
MACHINED SURFACES $\sqrt{125}^{\text{MAX}}$ GROUND SURFACES $\sqrt{32}^{\text{MAX}}$ ANGLE TOLERANCE $\pm 1^\circ$ REMOVE BURRS & SHARP EDGES TO .015 MAX.	<b>ENGLISH</b>  <b>0.X <math>\pm 0.05</math></b> <b>0.XX <math>\pm 0.01</math></b> <b>0.XXX <math>\pm 0.005</math></b>			DRAWN	APPROVED
DIMENSIONS SHOWN IN OVALS ARE INSPECTION DIMENSIONS.		DATE:	SCALE	MATERIAL:	
		1 OF 1	NTS	METAL, BLACK	
		SHEET:		PART NUMBER	REVISION
		1 OF 1		28-A1xxx	

1  
2  
3  
4  
5  
6