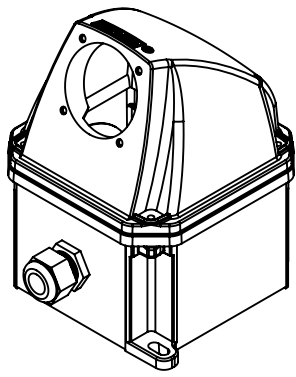
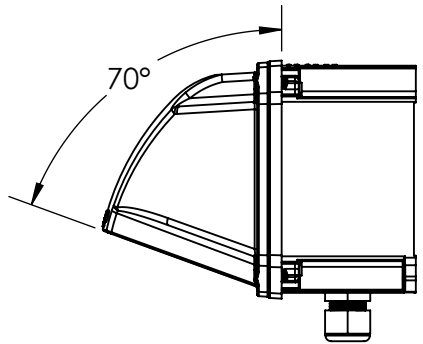
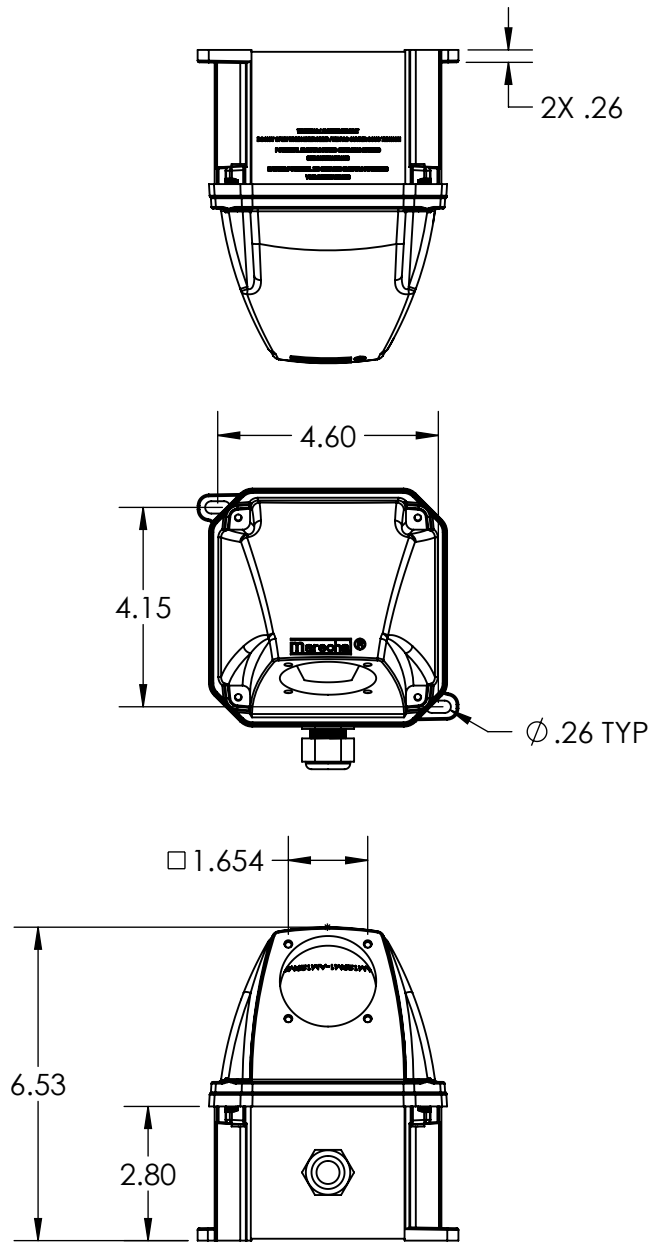


This drawing is the property of MELTRIC Corporation, Franklin (Milwaukee) Wisconsin, USA. Any unauthorized copying of this drawing by any means, ENGR/D/06 REV: 21 ISSUED DATE: 10/7/16 or disclosure of its contents to any person not authorized by MELTRIC Corporation or its agents to receive it, is strictly prohibited.



PART NUMBER	CORD GRIP SIZE	CABLE RANGE
221C7BPJ	1/2"	.20" TO .35"
221C7BPA	1/2"	.24" TO .47"
221C7BPB	1/2"	.39" TO .55"
221C7CPD	3/4"	.35" TO .63"
221C7CPC	3/4"	.51" TO .71"
221C7DPF	1"	.51" TO .79"
221C7DPE	1"	.71" TO .98"

TOLERANCES UNLESS OTHERWISE SPECIFIED		 MELTRIC A COMPANY OF MARÉCHAL ELECTRIC	
MACHINED SURFACES $\sqrt[125]{\text{MAX}}$ GROUND SURFACES $\sqrt[32]{\text{MAX}}$ ANGLE TOLERANCE $\pm 1^\circ$ REMOVE BURRS & SHARP EDGES TO .015 MAX.	ENGLISH 0.X ± 0.05 0.XX ± 0.01 0.XXX ± 0.005		