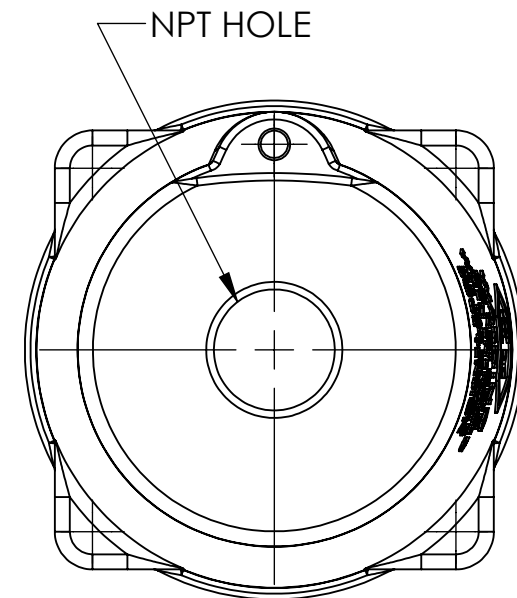
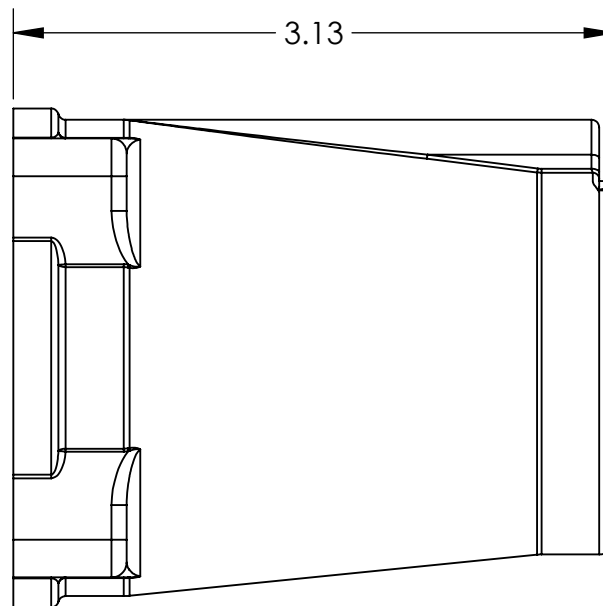
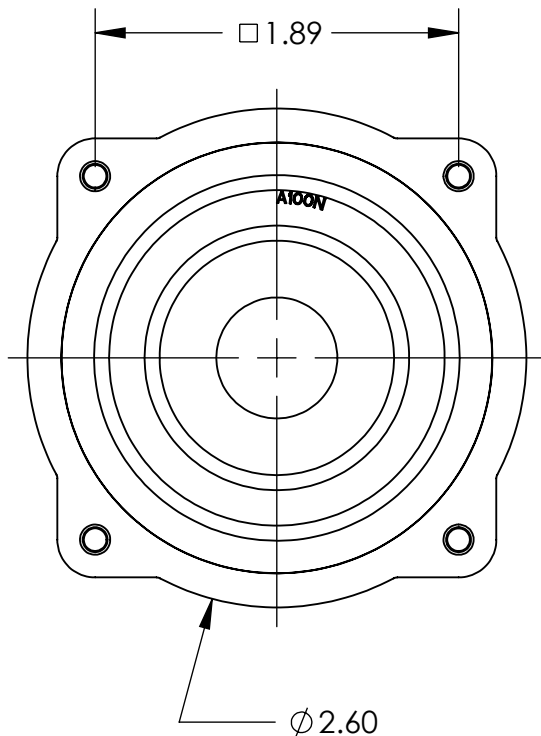


This drawing is the property of MELTRIC Corporation, Franklin (Milwaukee), Wisconsin, USA. Any unauthorized copying of this drawing by any means, or disclosure of its contents to any person not authorized by MELTRIC Corporation or its agents to receive it, is strictly prohibited.



DXN PART NUMBER	NPT SIZE
22-3A013-34	3/4" NPT
22-3A013-1	1" NPT
22-3A013-114	1-1/4" NPT

For use in Class I or II
Division 2 or Class 1
Zone 1 or Zone 21
depending on fitting
used. Fitting manufactured
by others.

TOLERANCES		MELTRIC A COMPANY OF MARÉCHAL ELECTRIC			
<input checked="" type="checkbox"/>	ENGLISH 0.X. ± 0.05 0.XX ± 0.01 0.XXX ± 0.005 $\pm 1/2^\circ$	DRAWN	APPROVED	DRAWING TITLE: DXN30 BLACK POLY HANDLE	
<input type="checkbox"/>	METRIC X. ± 1 0.X ± 0.5 0.XX ± 0.1 $\pm 1/2^\circ$	DATE:	SCALE: NTS	MATERIAL: BLACK POLY	
		PROJECT NUMBER:	PART NUMBER: 22-3A013-xx		SHEET: 1 OF 1