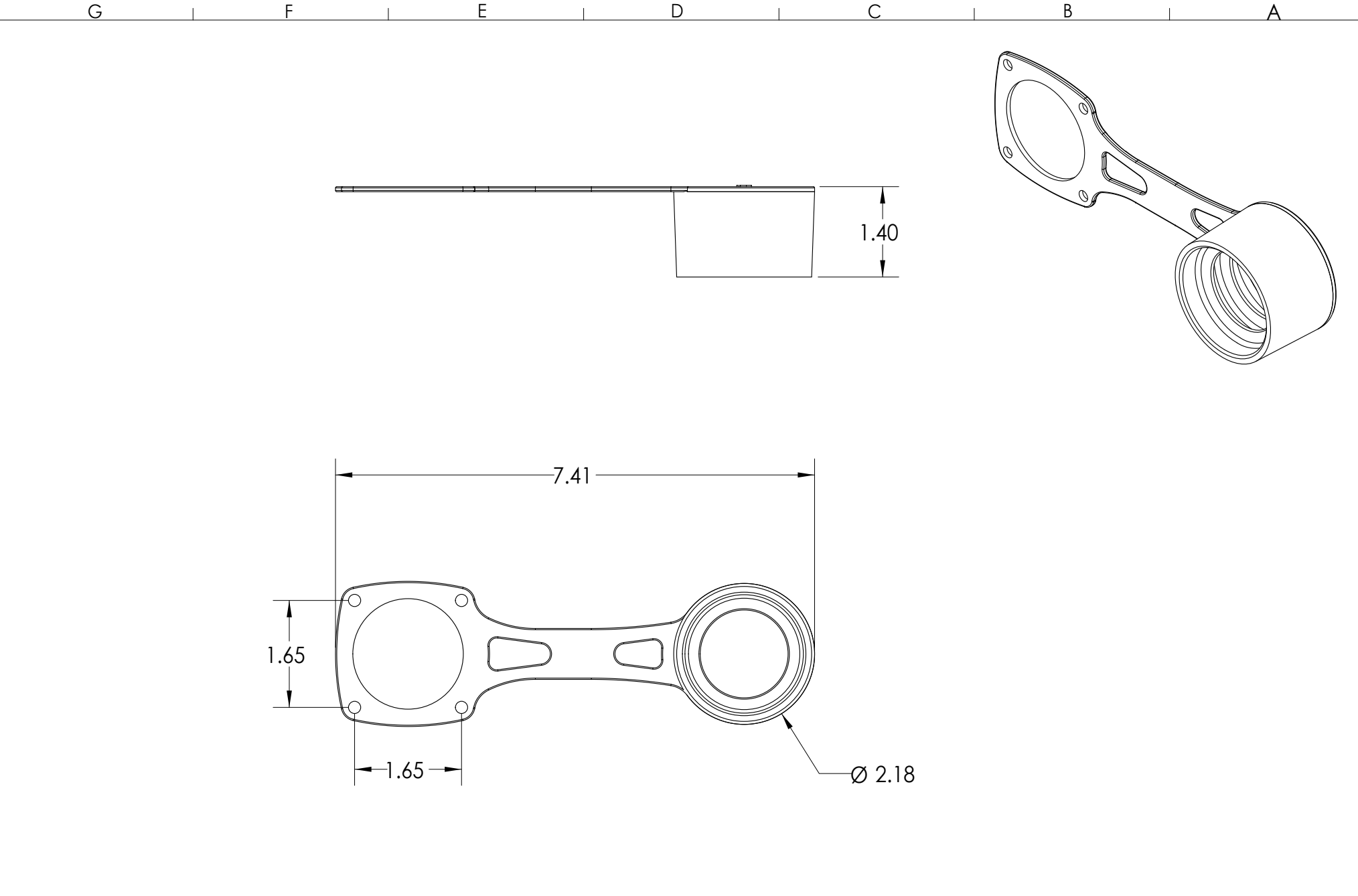




This drawing is the property of MELTRIC Corporation, Franklin (Milwaukee), Wisconsin, USA. Any unauthorized copying of this drawing by any means, or disclosure of its contents to any person not authorized by MELTRIC Corporation or its agents to receive it, is strictly prohibited.



TOLERANCES UNLESS OTHERWISE SPECIFIED		 A COMPANY OF MARÉCHAL ÉLECTRIC		DRAWING TITLE:	
MACHINED SURFACES $\sqrt[125]{\text{MAX}}$	<b>ENGLISH</b> $0.X \pm 0.05$ $0.XX \pm 0.01$ $0.XXX \pm 0.005$			DRAWN	APPROVED
GROUND SURFACES $\sqrt[32]{\text{MAX}}$		DATE:		SCALE	MATERIAL:
ANGLE TOLERANCE $\pm 1^\circ$		SHEET:		NTS	BLACK RUBBER
REMOVE BURRS & SHARP EDGES TO .015 MAX.		1 OF 1	PART NUMBER		REVISION
 DIMENSIONS SHOWN IN OVALS ARE INSPECTION DIMENSIONS.			22-1A426		