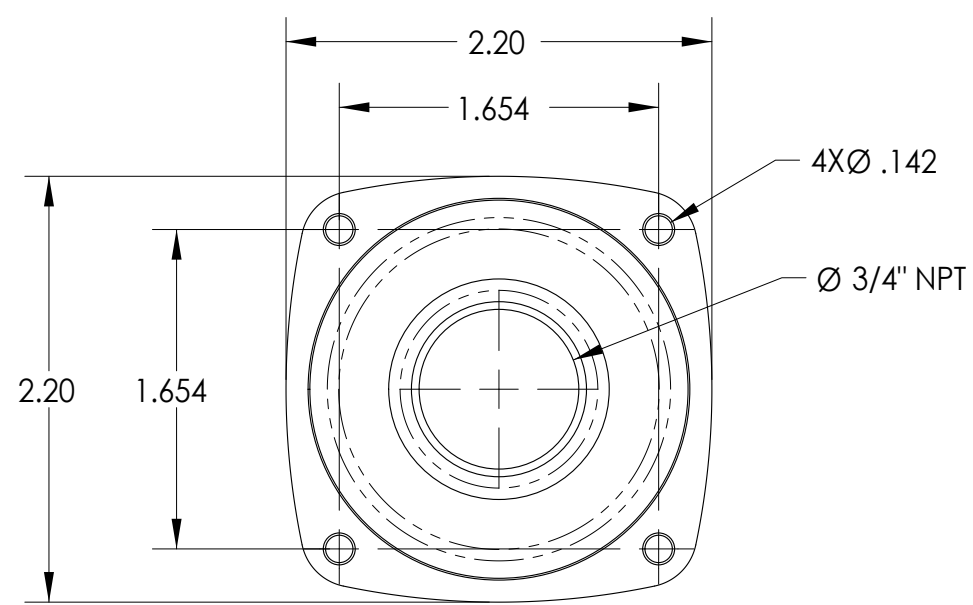
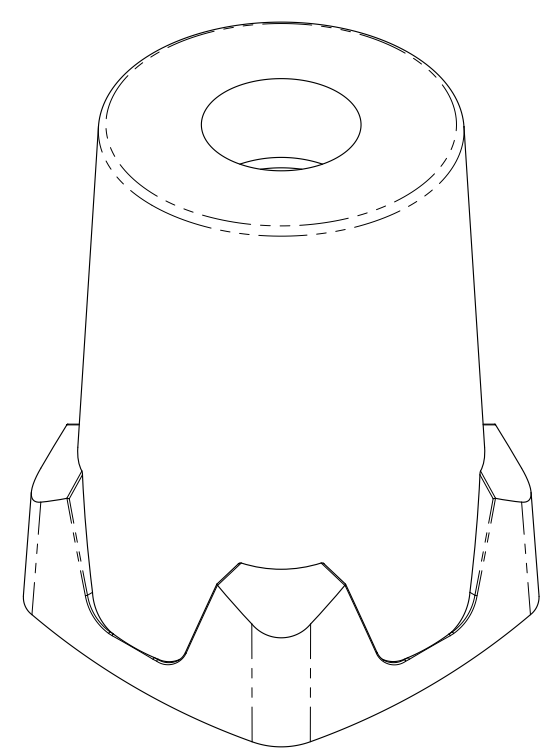
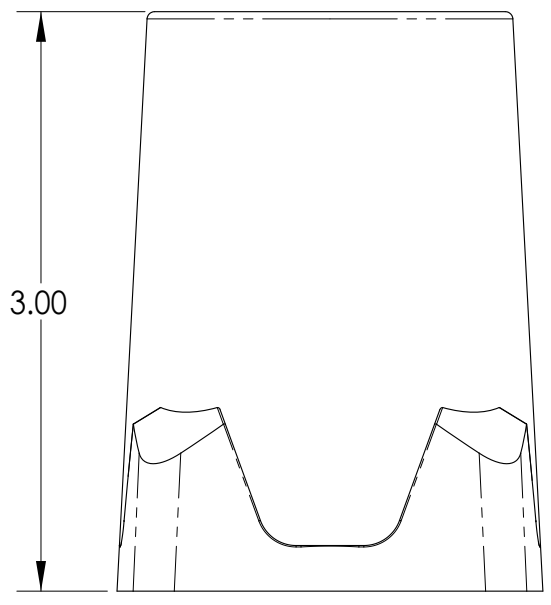




This drawing is the property of MELTRIC Corporation, Franklin (Milwaukee), Wisconsin, USA. Any unauthorized copying of this drawing by any means, or disclosure of its contents to any person not authorized by MELTRIC Corporation or its agents to receive it, is strictly prohibited.

G F E D C B A



TOLERANCES UNLESS OTHERWISE SPECIFIED MACHINED SURFACES $\sqrt[125]{\text{MAX}}$ GROUND SURFACES $\sqrt[32]{\text{MAX}}$ ANGLE TOLERANCE $\pm 1^\circ$ REMOVE BURRS & SHARP EDGES TO .015 MAX.  DIMENSIONS SHOWN IN OVALS ARE INSPECTION DIMENSIONS.		ENGLISH 0.X ± 0.05 0.XX ± 0.01 0.XXX ± 0.005		 A COMPANY OF MARECHAL ELECTRIC	
DRAWN: _____ DATE: _____	APPROVED: _____ SCALE: NTS	DRAWING TITLE: DXN20 POLY HANDLE WITH 3/4" NPT		MATERIAL: BLACK POLY	
SHEET: 1 OF 1		PART NUMBER: 22-1A013-34		REVISION: _____	