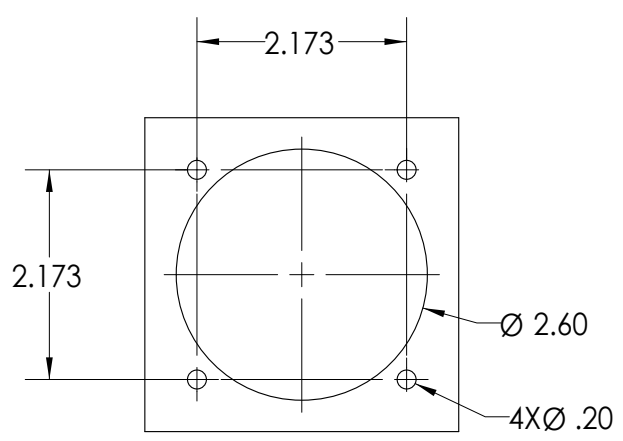
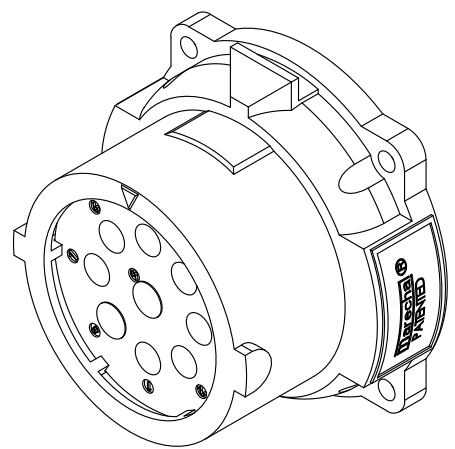
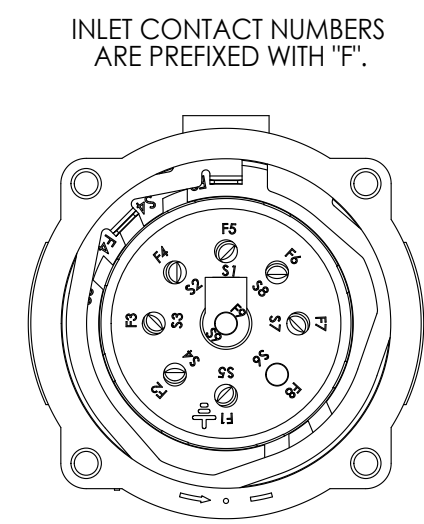
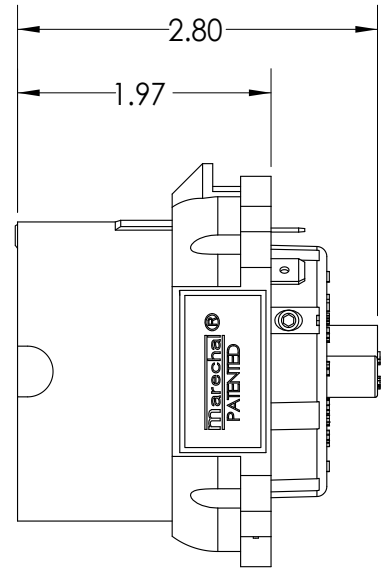
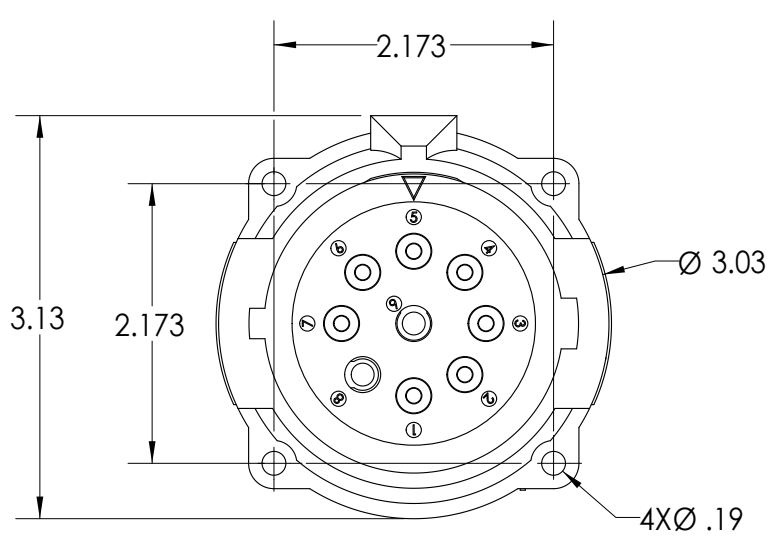


This drawing is the property of MELTRIC Corporation, Franklin (Milwaukee), Wisconsin, USA. Any unauthorized copying of this drawing by any means, or disclosure of its contents to any person not authorized by MELTRIC Corporation or its agents to receive it, is strictly prohibited.



ENTRY HOLE PATTERN

TOLERANCES UNLESS OTHERWISE SPECIFIED		 A COMPANY OF MARECHAL ELECTRIC		DRAWING TITLE:	
MACHINED SURFACES $\sqrt[125]{\text{MAX}}$ GROUND SURFACES $\sqrt[32]{\text{MAX}}$ ANGLE TOLERANCE $\pm 1^\circ$ REMOVE BURRS & SHARP EDGES TO .015 MAX.	ENGLISH $0.X \pm 0.05$ $0.XX \pm 0.01$ $0.XXX \pm 0.005$			DRAWN: _____ DATE: _____	APPROVED: _____ SCALE: NTS
DIMENSIONS SHOWN IN OVALS ARE INSPECTION DIMENSIONS.		SHEET: 1 OF 1	17-180xx	REVISION: _____	_____