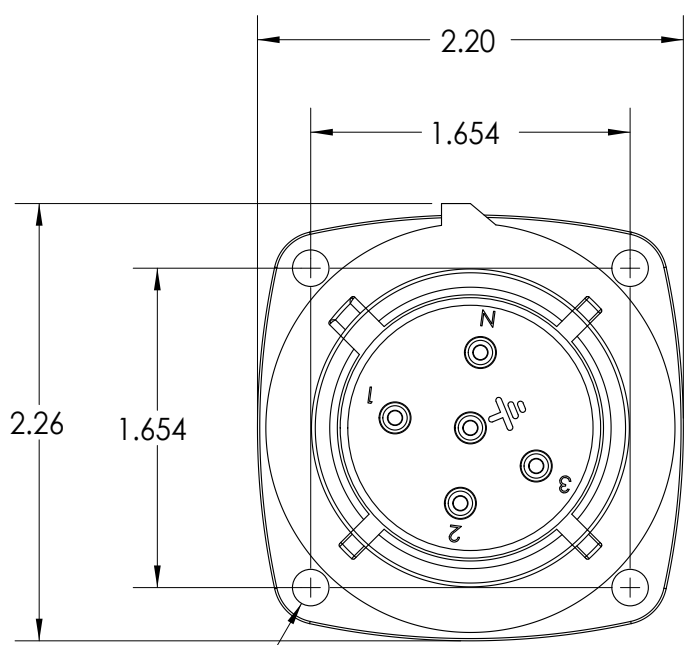
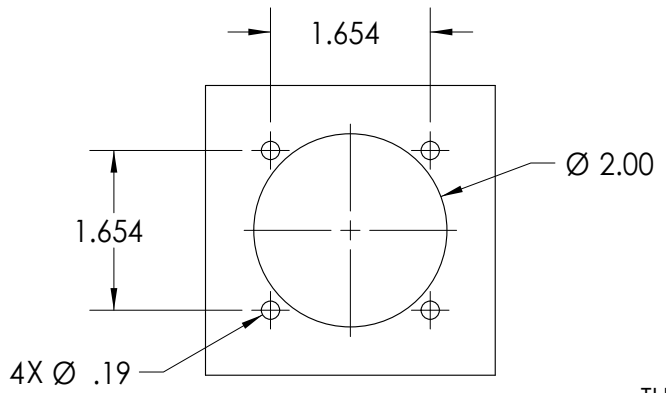
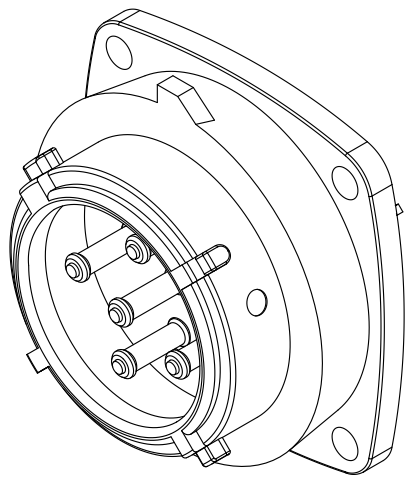
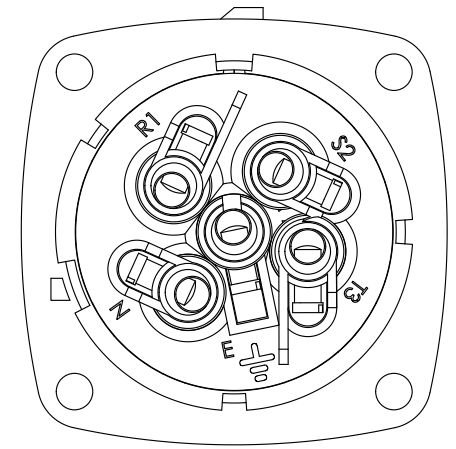
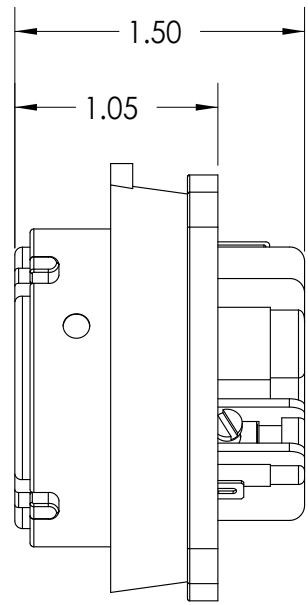


This drawing is the property of MELTRIC Corporation, Franklin (Milwaukee), Wisconsin, USA. Any unauthorized copying of this drawing by any means, or disclosure of its contents to any person not authorized by MELTRIC Corporation or its agents to receive it, is strictly prohibited.



4X Ø .189 THRU



ENTRY HOLE PATTERN

THE SAME MALE INLET IS USED FOR IP55 OR IP66+IP67 WATERTIGHT RATINGS.

TOLERANCES UNLESS OTHERWISE SPECIFIED		 A COMPANY OF MARÉCHAL ÉLECTRIC	
MACHINED SURFACES $\sqrt[125]{\text{MAX}}$ GROUND SURFACES $\sqrt[32]{\text{MAX}}$ ANGLE TOLERANCE $\pm 1^\circ$ REMOVE BURRS & SHARP EDGES TO .015 MAX.	ENGLISH $0.X \pm 0.05$ $0.XX \pm 0.01$ $0.XXX \pm 0.005$		
DIMENSIONS SHOWN IN OVALS ARE INSPECTION DIMENSIONS.		DATE:	DRAWING TITLE: PN20 INLET, 20A
		SHEET: 1 OF 1	SCALE: NTS MATERIAL: BARE METAL CASING PART NUMBER: 09-N8xxx REVISION: