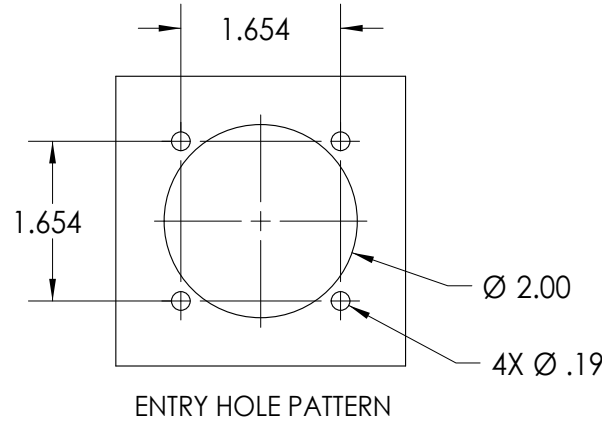
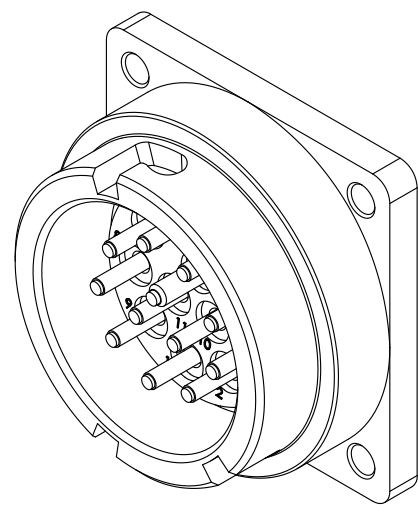
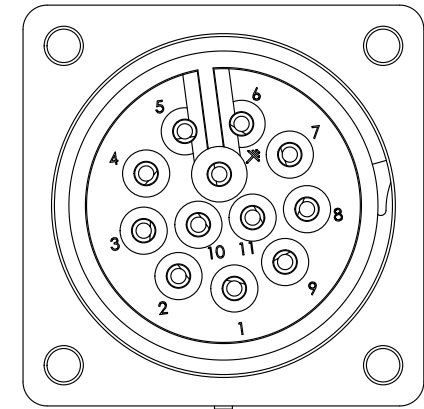
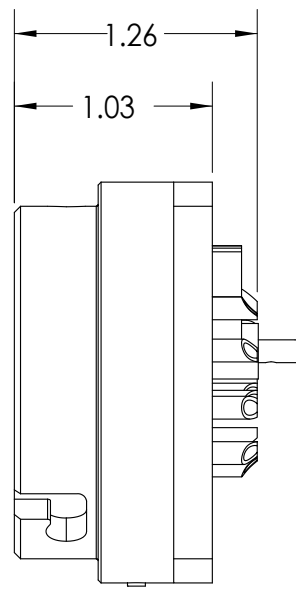
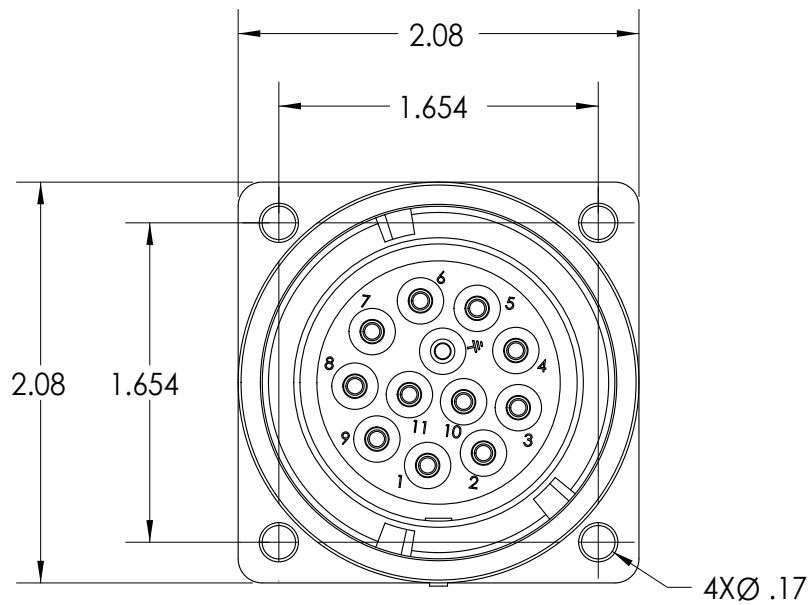


This drawing is the property of MELTRIC Corporation, Franklin (Milwaukee), Wisconsin, USA. Any unauthorized copying of this drawing by any means or disclosure of its contents to any person not authorized by MELTRIC Corporation or its agents to receive it, is strictly prohibited.



TOLERANCES UNLESS OTHERWISE SPECIFIED		<b>MELTRIC</b> A COMPANY OF MARÉCHAL ÉLECTRIC	
MACHINED SURFACES $\sqrt[125]{\text{MAX}}$ GROUND SURFACES $\sqrt[32]{\text{MAX}}$ ANGLE TOLERANCE $\pm 1^\circ$ REMOVE BURRS & SHARP EDGES TO .015 MAX. DIMENSIONS SHOWN IN OVALS ARE INSPECTION DIMENSIONS.	<b>ENGLISH</b>  <b>0.X ±0.05</b> <b>0.XX ±0.01</b> <b>0.XXX ±0.005</b>	DRAWN: _____ DATE: _____ SHEET: 1 OF 1	APPROVED: _____ SCALE: NTS DRAWING TITLE: <b>PN12c STAINLESS STEEL INLET</b> MATERIAL: <b>STAINLESS STEEL</b> PART NUMBER: <b>07-A8001-SS</b> REVISION: _____