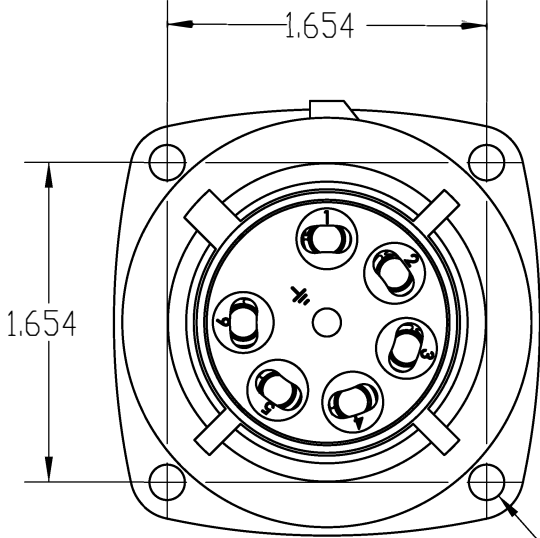
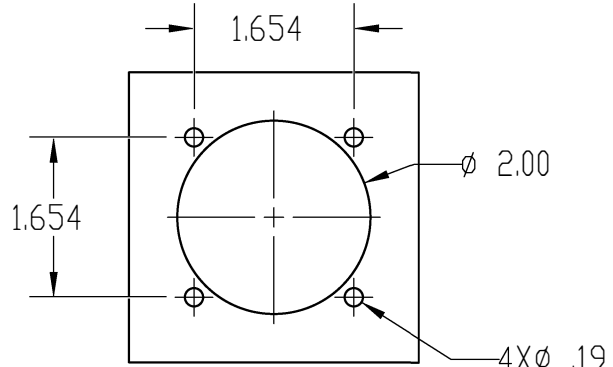
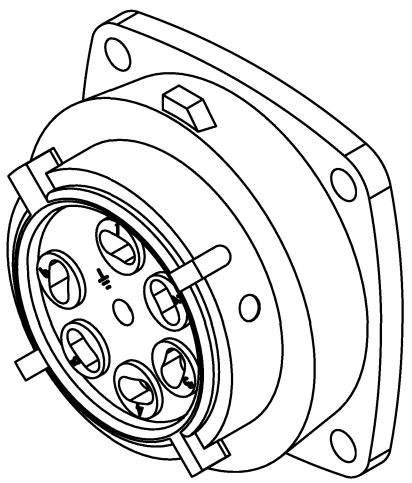
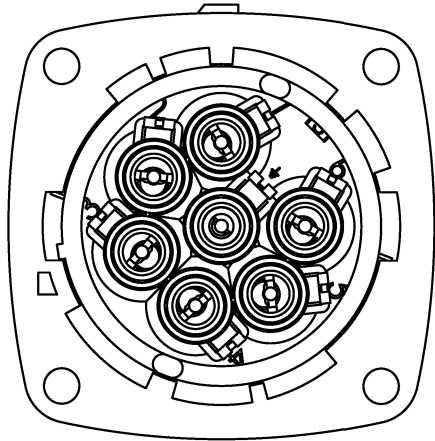
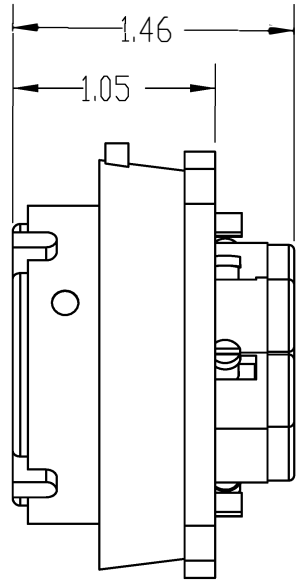


This drawing is the property of MELTRIC Corporation, Franklin (Milwaukee), Wisconsin, USA. Any unauthorized copying of this drawing by any means, or disclosure of its contents to any person not authorized by MELTRIC Corporation or its agents to receive it, is strictly prohibited.



4X ϕ .18



ENTRY HOLE PATTERN

TOLERANCES UNLESS OTHERWISE SPECIFIED		 MELTRIC A COMPANY OF MARECHAL ELECTRIC	
MACHINED SURFACES	$\sqrt[125]{\text{MAX}}$		
GROUND SURFACES	$\sqrt[32]{\text{MAX}}$	DATE: _____ SCALE: NTS	DRAWING TITLE: PN7C RECEPTACLE
ANGLE TOLERANCE	$\pm 1^\circ$	SHEET: 1 OF 1	MATERIAL: METAL CASING
REMOVE BURRS & SHARP EDGES TO .015 MAX.		PART NUMBER: 07-P80x1-001	REVISION: _____
DIMENSIONS SHOWN IN OVALS ARE INSPECTION DIMENSIONS.			