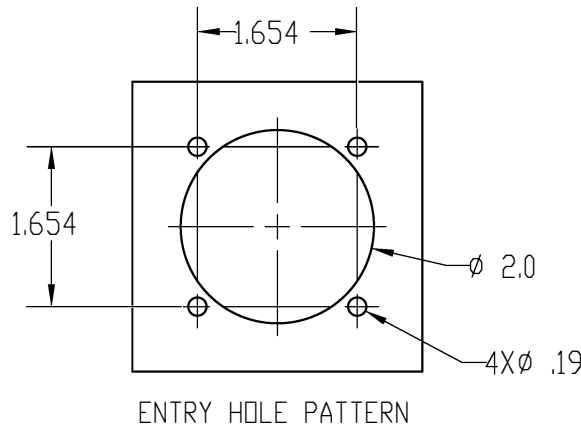
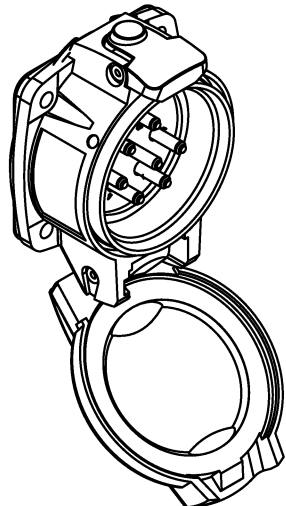
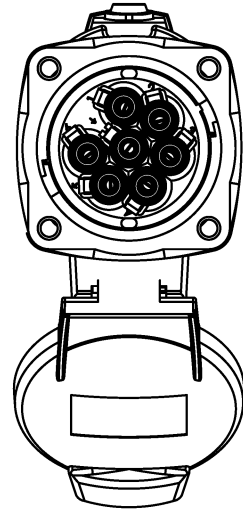
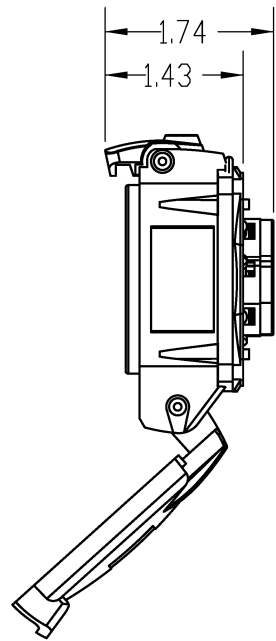
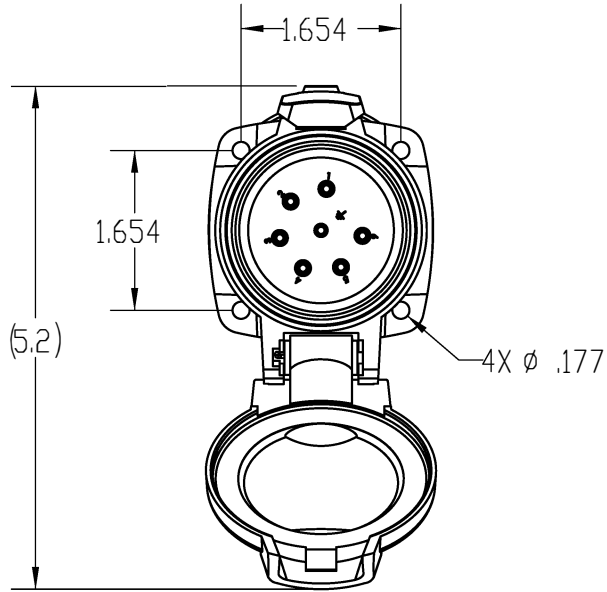


This drawing is the property of MELTRIC Corporation, Franklin (Milwaukee), Wisconsin, USA. Any unauthorized copying of this drawing by any means, or disclosure of its contents to any person not authorized by MELTRIC Corporation or its agents to receive it, is strictly prohibited.



TOLERANCES UNLESS OTHERWISE SPECIFIED		 MELTRIC A COMPANY OF MARTECHAL ELECTRIC		DRAWING TITLE:	
MACHINED SURFACES	$\sqrt{125}$ MAX			PN7c INLET	MATERIAL:
GROUND SURFACES	$\sqrt{32}$ MAX	DATE:	SCALE:	REVISION	
ANGLE TOLERANCE	$\pm 1^\circ$		NTS	METAL CASING	
REMOVE BURRS & SHARP EDGES TO .015 MAX.		SHEET:	PART NUMBER		
DIMENSIONS SHOWN IN OVALS ARE INSPECTION DIMENSIONS.	ENGLISH	1 OF 1	07-P40x1-001		
	0.X ± 0.05				
	0.XX ± 0.01				
	0.XXX ± 0.005				