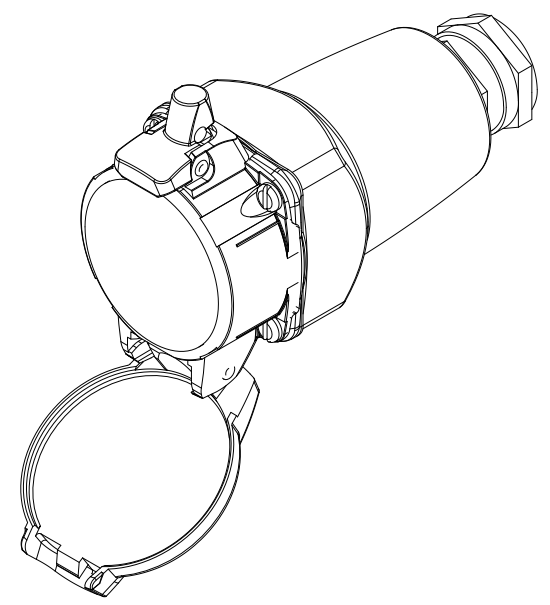
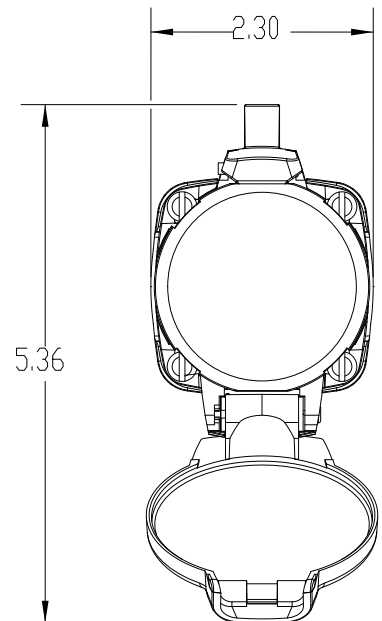
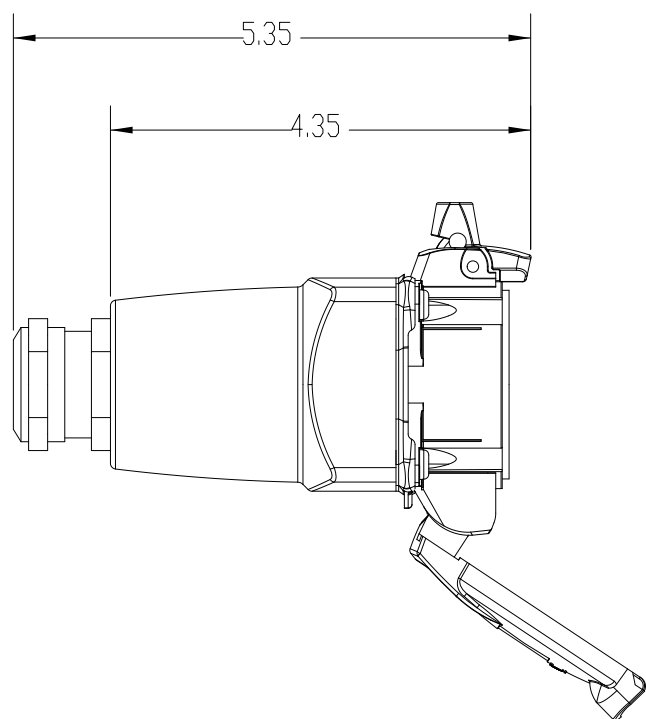


This drawing is the property of MELTRIC Corporation, Franklin (Milwaukee), Wisconsin, USA. Any unauthorized copying of this drawing by any means, or disclosure of its contents to any person not authorized by MELTRIC Corporation or its agents to receive it, is strictly prohibited.
 ENG/RD/06 REV. 21 ISSUED DATE: 10/7/16



CABLE RANGE = .47" TO .82"

TOLERANCES UNLESS OTHERWISE SPECIFIED		 A COMPANY OF MARÉCHAL ELECTRIC	
MACHINED SURFACES	125 $\sqrt{\text{MAX}}$		
GROUND SURFACES	32 $\sqrt{\text{MAX}}$	SCALE: NTS	MATERIAL: METAL
ANGLE TOLERANCE	$\pm 1^\circ$	SHEET: 1 OF 1	PART NUMBER: 06-A3001
REMOVE BURRS & SHARP EDGES TO .015 MAX.			REVISION:
DIMENSIONS SHOWN IN OVALS ARE INSPECTION DIMENSIONS.	ENGLISH 0.X ± 0.05 0.XX ± 0.01 0.XXX ± 0.005		